

General Information

- These instructions provide the basic information to install a counterweight into any LF Series Lateral File.
- Lowermost drawers need to be removed to install Counterweight.
- One person can perform all operations.

Tools Required

- Drill with $\frac{5}{16}$ " Hex socket

Installing Counterweights

- Drawers must be removed.
1. Place counterweight flush against back of File on right and against stiffener on back of case (Figure A).
 2. Place counterweight bracket against counterweight and secure bracket to File using (2) #10-16x $\frac{1}{2}$ " Hex washer head self-drilling screws (Figure B).
 3. Bend tab on face of bracket inward to prevent counterweight from moving to the right (Figure B, Inset).
 4. Bend the two tabs in the base upward to retain the bottom of the counterweight (Figure C).

Figure A

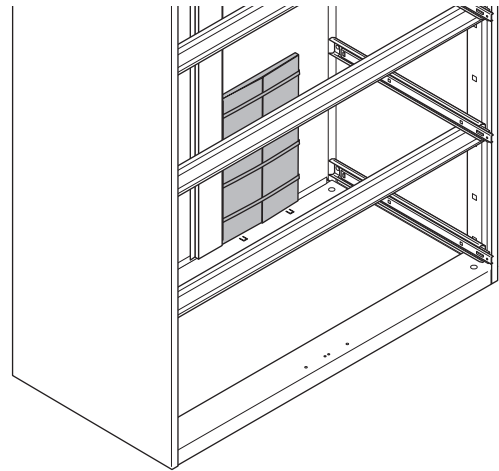


Figure B

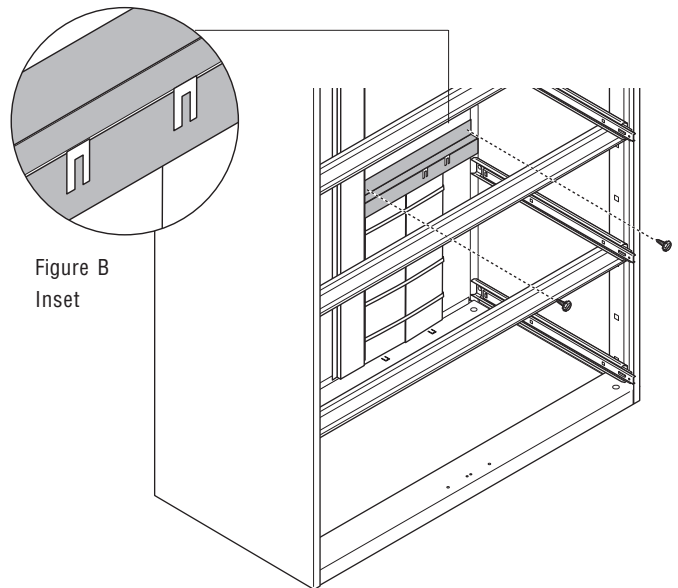
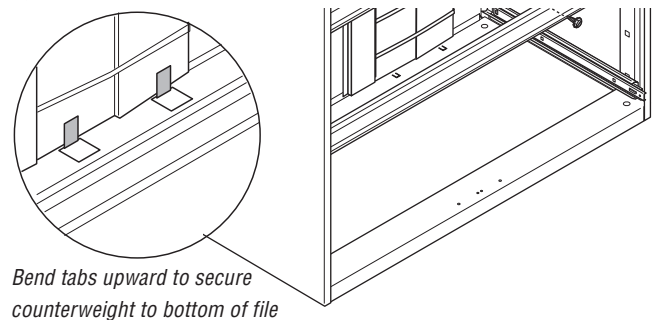


Figure B
Inset

Figure C



Proper product installation, in accordance with these instructions, is the responsibility of the installing agent. If you have any questions concerning these instructions, please call your Customer Care Team.