

Base Wireway Jumper

Tools Required

- None

Installation

Note: Installation must be in accordance with the National Electrical Code and local codes. Electrically interconnected panels need to be mechanically connected.

Note: Independent and shared neutral components cannot be mixed.

Jumper Attachment to Harness:

1. With north arrow pointing up, plug jumper into outside of the base wireway harness block. Push in until clips snap onto block. (Figure A)
2. Extend jumper over vertical, around or through connector as required. Plug into base wireway harness block. Push in until clips snap onto block. (Figure B)

Note: When installing 120° connector jumpers be sure to bring the mesh part underneath the bottom of the connector before attaching the frames to the connector. (Figure C). Do not try to push the jumper cable ends between the frame wireway bracket and the connector.

Figure A

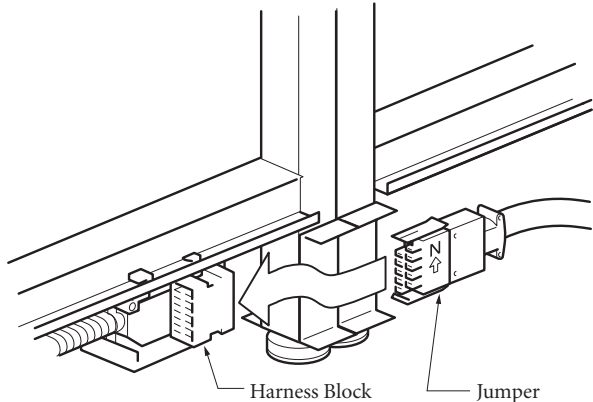


Figure B

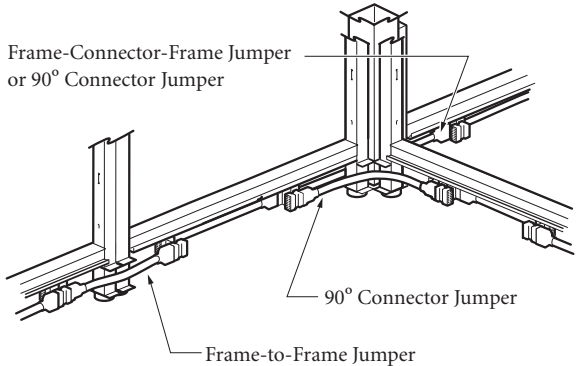
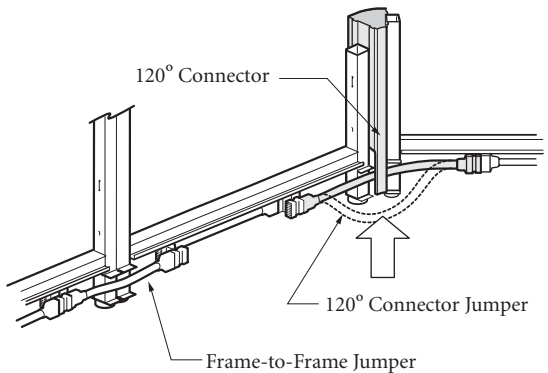


Figure C



Printed in U.S.A. © 2008 Kimball International, Inc. T 800.482.1818 F 812.482.8300

Proper product installation, in accordance with these instructions, is the responsibility of the installing agent. If you have any questions concerning these instructions, please call Kimball Office Customer Service.

Kimball Office