

Approach™

Back Attachment

Installation

1. Take components out of box. (Figure A).
2. If chair has plastic back, remove knob by turning counter clockwise. If chair comes with mesh back, simply pull knob directly off, no unscrewing is required. (Figure B).
3. On models with plastic backs, align bottom of back over metal bracket. Insert metal bracket into slot in bottom of back and slide back downward. (Figure C).

Figure A

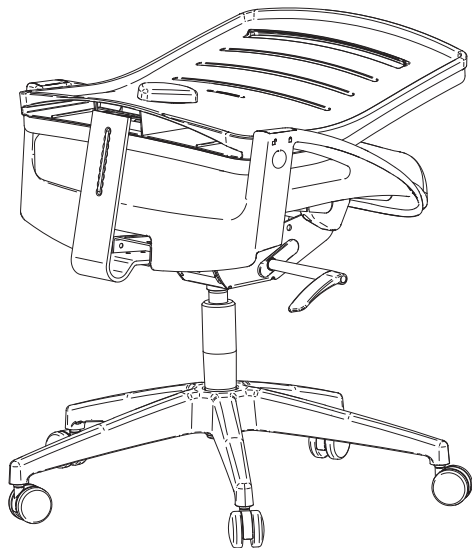


Figure B

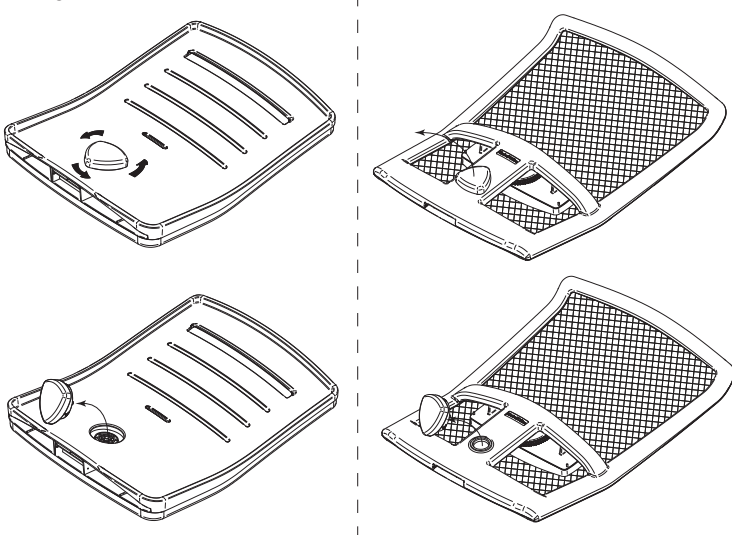
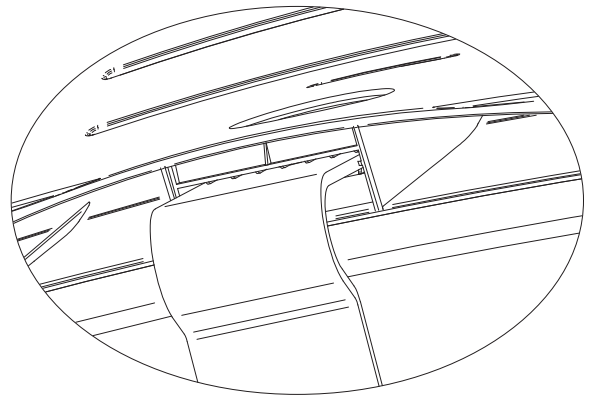
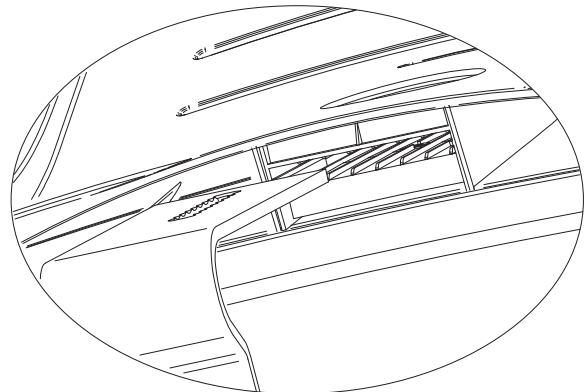


Figure C



Proper product installation, in accordance with these instructions, is the responsibility of the installing agent. If you have any questions concerning these instructions, please call Kimball Office Customer Service.

Kimball® Office

Approach™

Installation (continued)

4. On models with mesh back, align bottom of back over bracket. Insert metal bracket into slot in bottom of back and slide back downward. Remove plastic plug out of knob insert. (Figure D).
5. On mesh back, screw back knob into back by pushing and turning at the same time. On plastic back you do not need to push on knob. (Figure E).
6. If back height needs adjusted, loosen back knob slightly so the plastic back will slide vertically. Adjust into desired position, and retighten knob. (Figure F).

Figure D

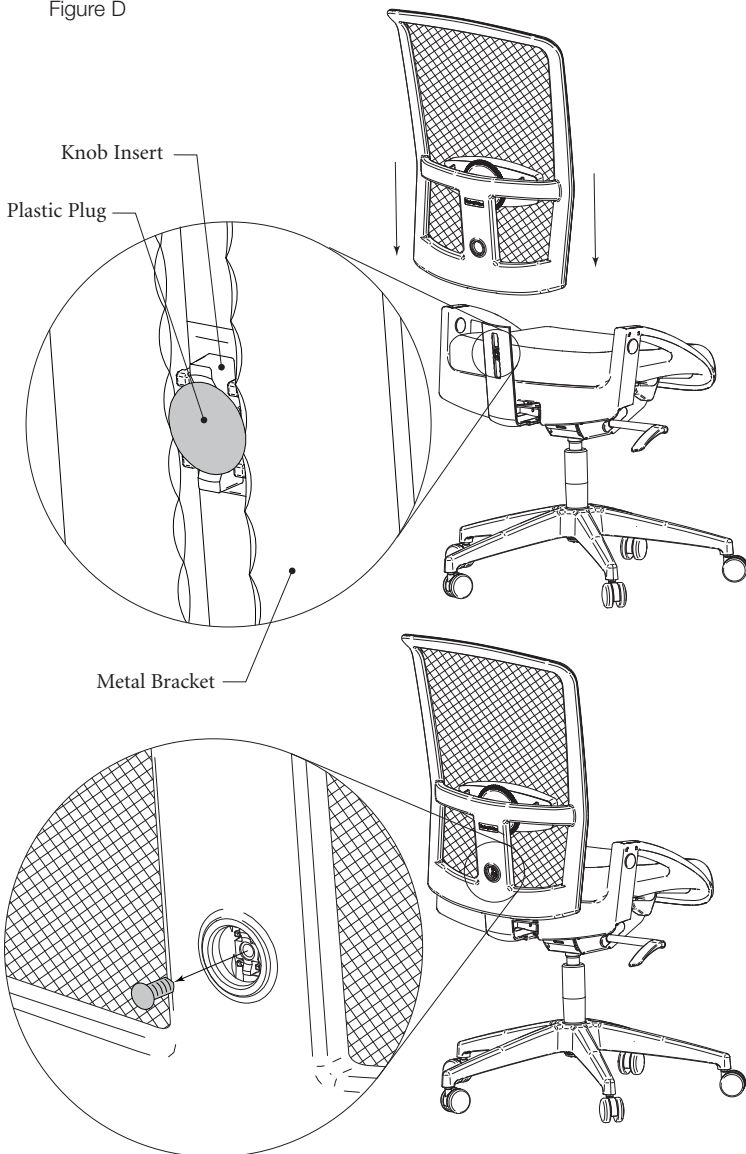


Figure E

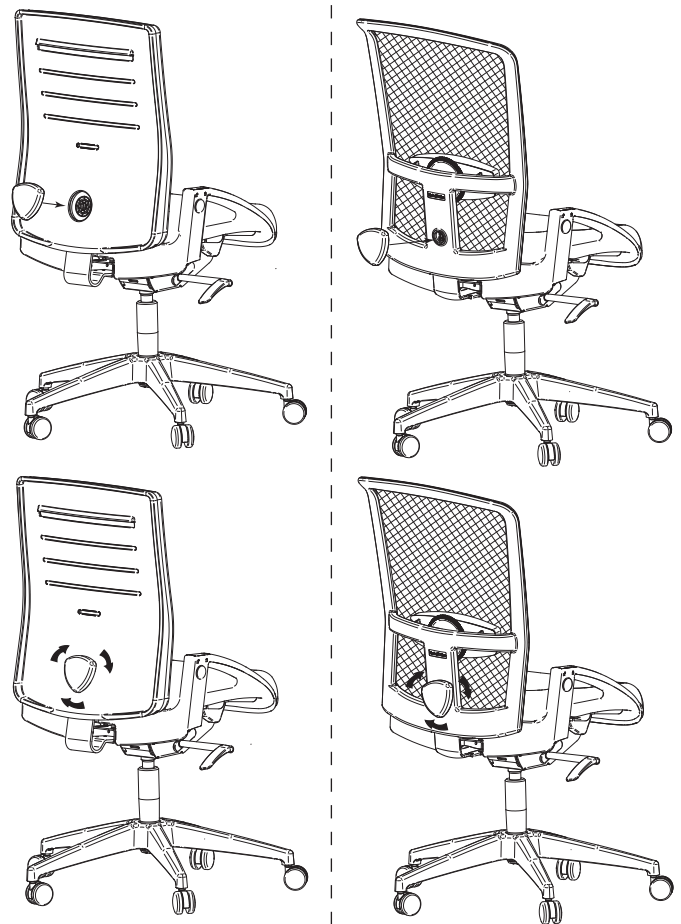
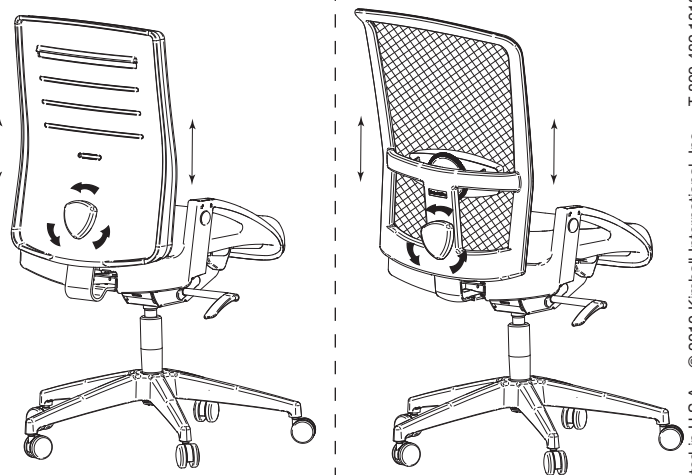


Figure F



Printed in U.S.A. © 2010 Kimball International, Inc. T 800.482.1818 F 812.482.8300

Proper product installation, in accordance with these instructions, is the responsibility of the installing agent. If you have any questions concerning these instructions, please call Kimball Office Customer Service.

Kimball Office