

Glass and Pass Thru Tiles

Caution: Store all tiles flat until installed. Do not stack on top of tiles.

Tools Required

- Tape Measure
- Scissors

Installation

1. On inside of workspace, insert top of tile frame (frame with glass for glass tile) into upper Xsite Traxx® and lower into Xsite Traxx or bottom channel below. (Figure A).
2. Cut tape to separate two anti-dislodgement blocks and remove tape covering.
Note: Center one block under each frame top channel or mid-frame support with tape at bottom of block.
Press anti-dislodgement blocks to adhere to top of tile frame with glass. (Figure B).
3. On outside of workspace, insert top of opposite tile frame into upper Xsite Traxx and lower into Xsite Traxx or bottom channel below.
4. Carefully slide assembly left or right to align.

Figure A

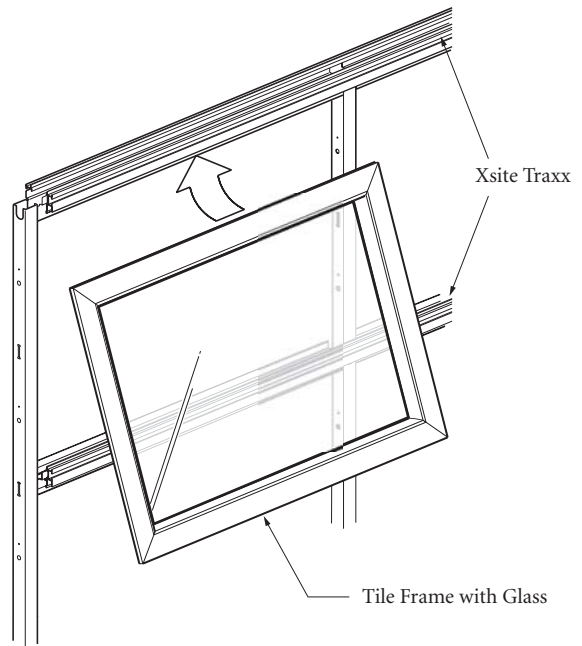


Figure B

