

Mobile Screens

Tools Required

- Hex Head Wrench
- Rubber Mallet

Package Contents

- | | |
|----------------------------|---------------------------|
| For Starter Screen: | For Add-on Screen: |
| ■ 1 Starter screen | ■ 1 Add-on screen |
| ■ 2 Casters | ■ 2 Handcuffs |
| | ■ 2 Handcuff screws |
| | ■ 1 Caster |

Installation

Note: A basic Screen Assembly consists of a Starter Screen (2 casters) and an Add-on Screen (1 caster) as a minimum.

1. Place a Starter Screen and an Add-On Screen side by side on a clean, solid surface or floor; protect screen tubes from marks and scratches. (Figure A).
2. Place the two sections of the handcuff around the adjacent top collars at the top of the screen tubes and fasten together with the handcuff screw as shown. (Figure B). Repeat procedure for lower connecting collars located above the casters.

Note: Additional Add-On Screens may be attached to the basic assembly by repeating Step 2.

Note: Over-tightening of the handcuff screws may constrain the folding capability of the mobile screens.

3. Insert casters into sockets in the bottom of the screen tubes. Make sure caster fully seats in socket. If necessary, use a rubber mallet to seat caster. **DO NOT** strike caster with any other hard object. (Figure C).

Note: Each Starter Screen must have 2 casters inserted.

Use 1 caster with each add-on screen. There should be only one caster at each screen connection.

4. Stand assembled unit upright. For safety and stability, make sure position of screens does not exceed 115°. (Figure D).

Figure A

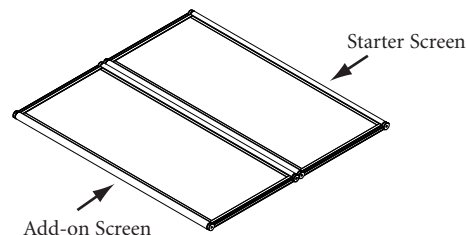


Figure B

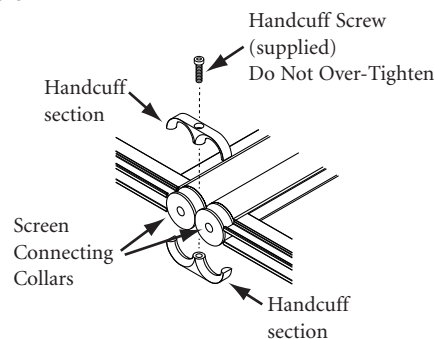


Figure C

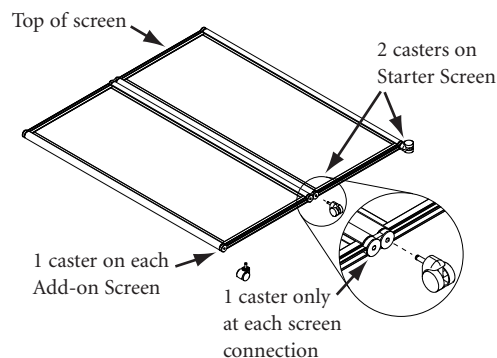


Figure D

