

Hanging Marker Tile

Tools Required

- None

Package Contents

- 1 Eraser Tray
- 1 Hanging Marker Tile

Installation

1. Lay Hanging Marker Tile on a solid surface. (Mounting brackets on the back of the tile should be at the top). Ensure face of marker tile is clean and dry. (Figure A).
2. Peel off pre-mounted adhesive tape backing. (Figure B).
3. Ensure tray is in upright position (curved edge of tray pointing up). Align bottom and side edges of tray with edge of marker tile. Do not attach any part of the tray to the tile frame. Press tray firmly onto face of tile. (Figure C).

Figure A

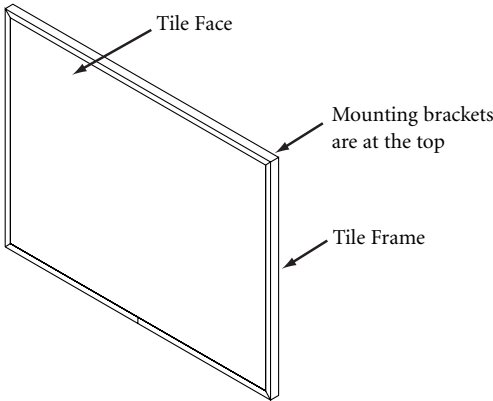


Figure B

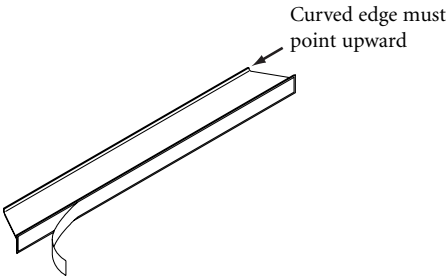
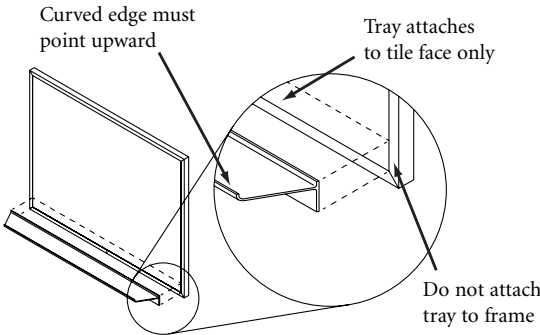


Figure C



Printed in U.S.A. © 2007 Kimball International, Inc. T 800.482.1818 F 812.482.8300

Proper product installation, in accordance with these instructions, is the responsibility of the installing agent. If you have any questions concerning these instructions, please call Kimball Office Customer Care.

Kimball Office