

# Wall Mount Markerboard or Tackboard

## Tools Required

- Tape Measure
- Phillips Screwdriver
- Level
- Drill

## Package Contents

- 1 Markerboard or Tackboard
- 1 Pencil Tray (Markerboard only)
- 1 Wall Mount Bracket
- 5 #10 x 1" Truss Head Phillips Sheet Metal Screws (Markerboard only)
- 4 1½" Screws for Marker Tray

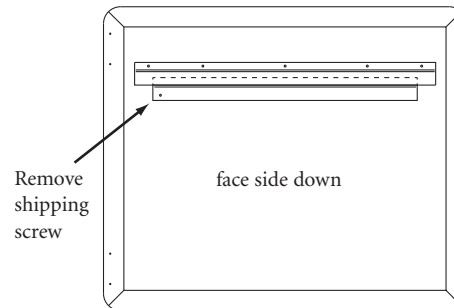
## Installation

1. Lay board face down on a smooth, solid surface and remove shipping screw that is holding wall mount (shorter) portion of bracket to board. (Figure A).

**Note:** Fasteners needed to attach wall mount bracket to wall are **NOT** included.

**See chart at right for recommended fasteners.**

Figure A



### Wood Studs

For 2" x 4" wood studs or greater:  
#10 x 2" screws

### Metal Studs

For 20 gauge metal studs or heavier:

1. #7 x 1¼" Phillips Flathead self-starting screw for ¾" drywall;
2. #7 x 1½" Phillips Flathead self-starting screws for ½" or ¾" drywall

### Concrete or Block Wall

1. ¼" toggle bolts;
2. ¼" - 20 expansion anchors;
3. STAR ¼" short lag screw expansion shields;
4. Vinyl screw anchors for ¼" lag bolts and #12 x 1½" screws

Installation (continued)

- Position wall mount bracket on the wall at desired location. At least two studs must be used for support with wood or metal stud mounting. (Figure B). Ensure bracket is level. Drill pilot holes required for fasteners thru bracket ½" from bottom edge of bracket. For wood or metal stud mount, use one fastener at each stud. (Figure B).

For concrete or block wall mount, it is recommended a fastener be placed 2" from each end and in the center. (Figure C).

- Attach the pencil tray to the front of the board using the four 1½" screws provided. (Figure D).
- Hold the board securely and slip the lower edge of the mounting bracket over and behind the upward protruding lip of the wallmount bracket. Then slide the board down to lock it into position. (Figure E).

Figure B

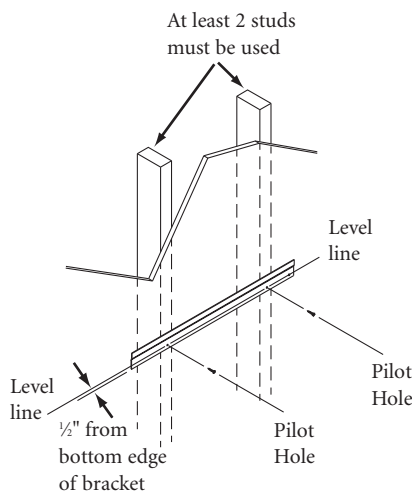


Figure C

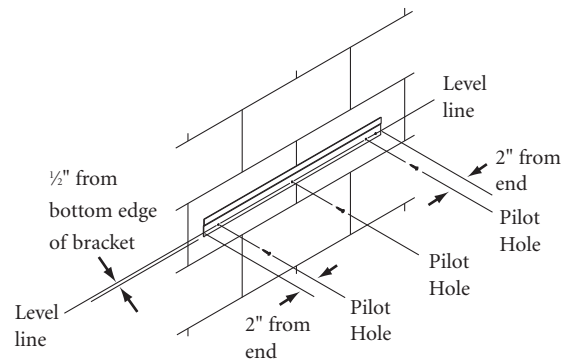


Figure D

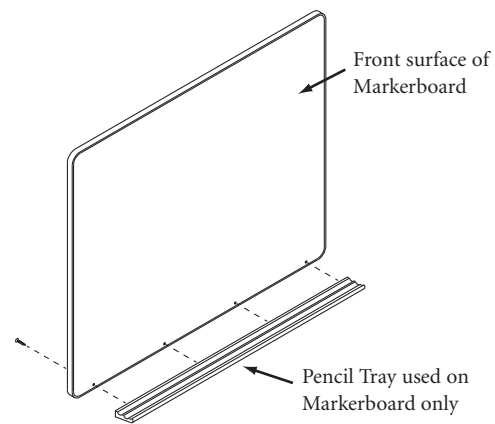


Figure E

