

Floor/Wall Power Entry

Tools Required

- Cordless Drill/Driver
- #2 Phillips Screwdriver Bit

Installation

Note: Independent and shared neutral components cannot be mixed.

Reference labels on conduit for wiring diagrams.

1. Remove cover screw and cover. Lift lock clip to separate conduit plug end from power entry receptacle. Plug power entry receptacle into base wireway harness block. (Figure A).
2. Install two retaining screws and tighten into harness. (Figure A).
3. Slide open receptacle cover on base wireway cover that lines up with power entry.
4. Install base wireway cover by engaging bottom flange of cover under wireway bracket at both verticals. Swing cover up and press top flange over top of brackets at both frame verticals. (Figure B).
5. With conduit facing power source, plug conduit plug end into power entry and push lock clip down. (Figure C).
6. Align power entry cover with harness and install with screw. (Figure C).

Warning: Connection to building power must be completed by a licensed electrician. Installation must be in accordance with National Electrical Code and local codes. This system may be connected to more than one source of supply. No single circuit may be powered by more than one source. Do not interconnect system electrical power from different feed units. Be certain all sources are disconnected prior to any servicing.

Figure A

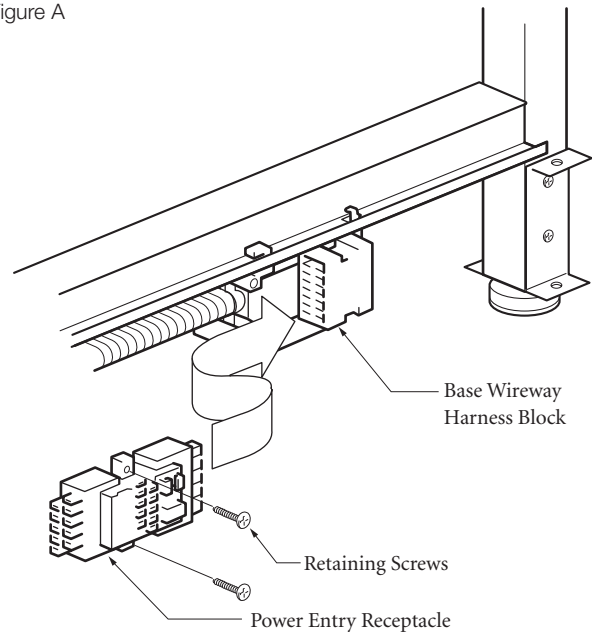


Figure B

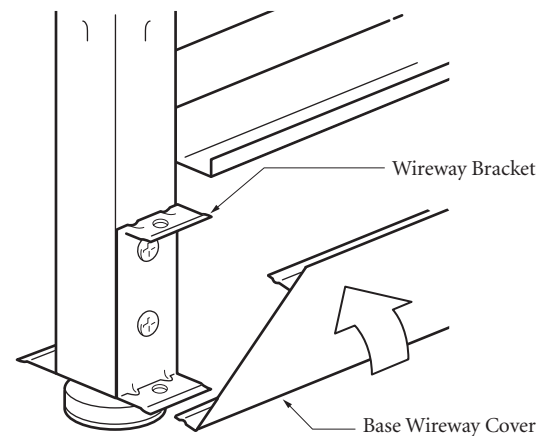


Figure C

