

Undersurface Cable Manager

Tools Required

- #2 Phillips Head Bit
- Screw Gun
- Hack Saw
- (if cutting to length)

Package Contents

- 12 #8 Panhead Screws

Installation

1. Measure the area where the Undersurface Cable Manager is to be mounted. Mark and cut the cable manager to the desired length.
2. On “W” shaped cable manager, peel the protective coating from the tape strip provided. Position the cable manager in its desired location and press firmly into place. “U” shaped cable managers does not come with tape strip. (Figure A).
3. The cable managers can be permanently attached to the underside of the worksurface using #8 panhead screws provided. The “W” shape has a V-groove to assist with screw location. (Figure B).

Figure A

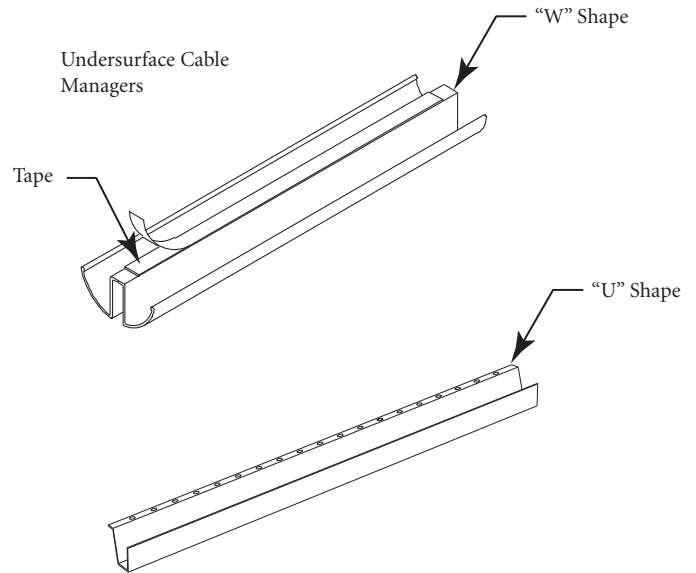


Figure B

