

Equipment Lock

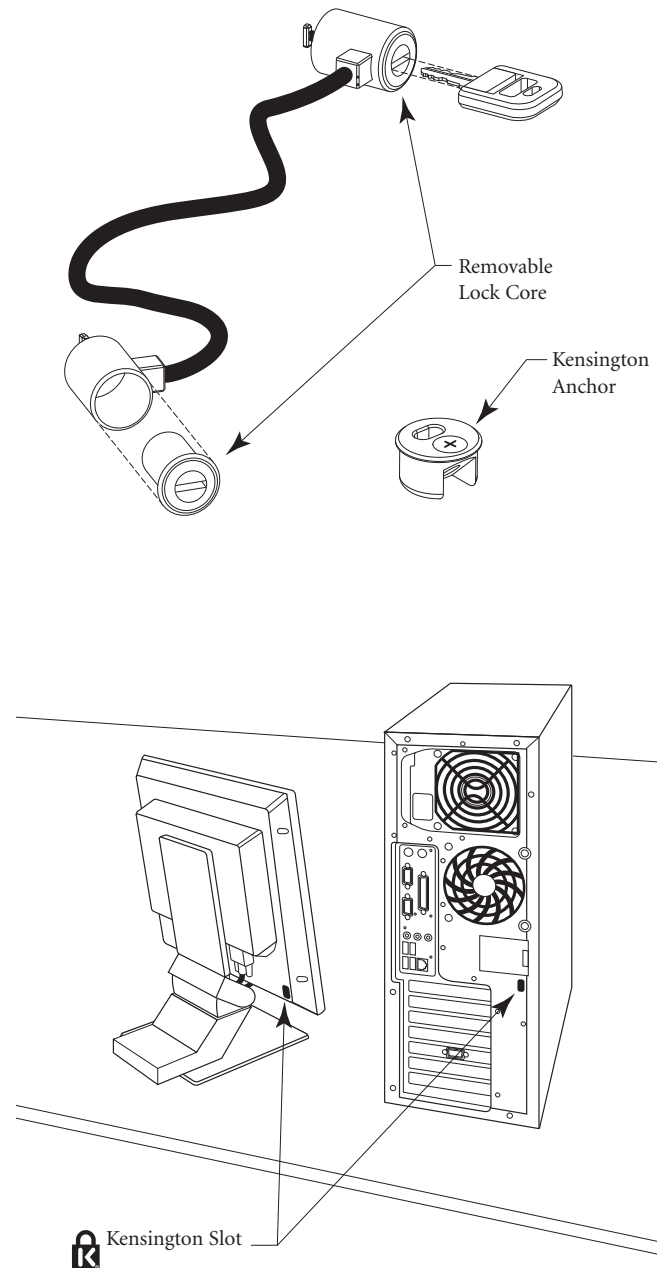
Tools Required

- 1/16" Drill Bit

Installation

1. The Equipment Lock consists of two locks tethered together by a stainless steel cable. The rear of each lock has a T-shaped prong which engages into the Kensington slot that is located in laptop computers, docking stations, printers, CPU towers and other portable electronic equipment. The two locks are equipped with removable lock cores which can be re-keyed to suit user-preference. (Figure A).

Figure A



Installation (continued)

Scenario

- The Senario Tables have a Kensington slot machined into each undersurface support arm. One end of the security cable secures to the slot in the furniture, the other can be secured into the Kensington slot in the portable equipment. (Figure B).
- The round Scenario tables have a Kensington slot located in the mounting plate on the underside of the worksurface. (Figure C).

Hum

- The Hum cable managers have Kensington slots stamped into the lower floor of the tray. One end of the security cable secures to the slot in the cable manager, the other end can be secured into the Kensington slot in the portable equipment. (Figure D).

Kensington Wood Anchor

- The Kensington Wood Anchor can be field-installed into any wood-based panel. Bore an $\frac{1}{16} \times \frac{1}{2}$ " deep hole into the furniture, push the Kensington Wood Anchor into the hole, and tighten the screw to secure the anchor to the furniture. We recommend the underside of a worksurface (near a grommet hole) or the inside of an end panel as potential hole location. (Figure E).

Figure B

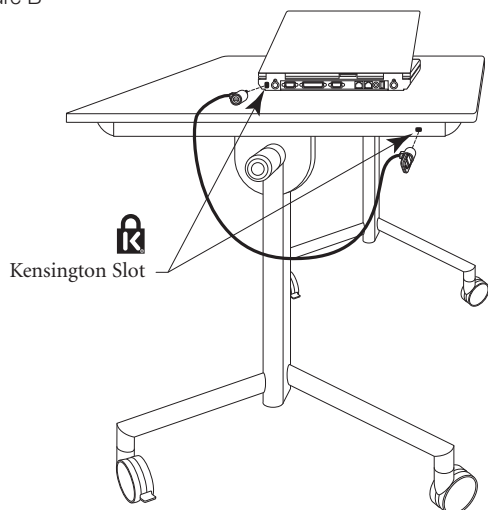


Figure C

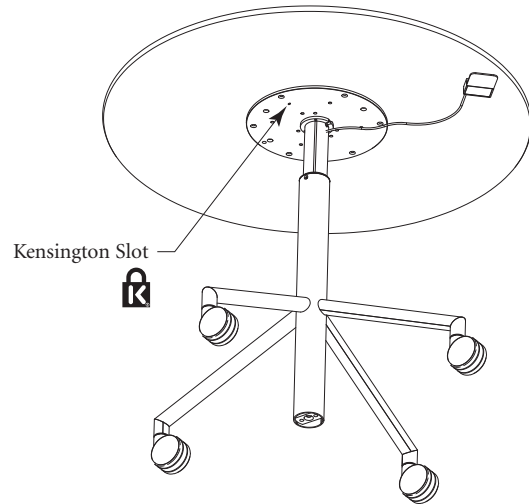


Figure D

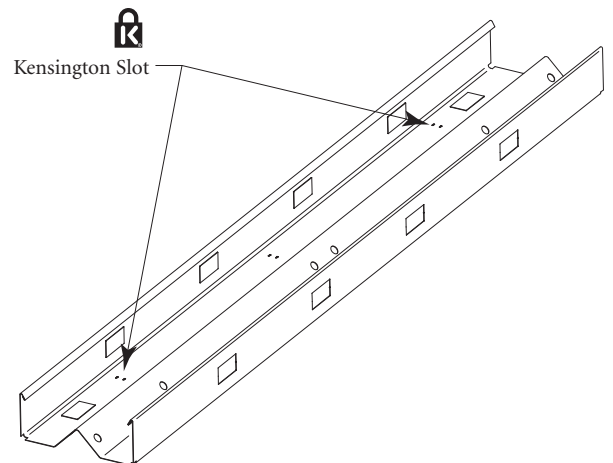


Figure E

