

Base Wireway Harness

Tools Required

- None

Installation

Note: Independent and shared neutral components cannot be mixed.

1. If installed, carefully lift and remove lowest tiles from both sides of structure.
2. At one end of harness, engage hooks on top of harness into the long slot in the bottom channel. (Figure A) Swing end of harness up until spring clips snap into smaller slots of bottom channel. (Figure B) Repeat for opposite end of harness.

Figure A

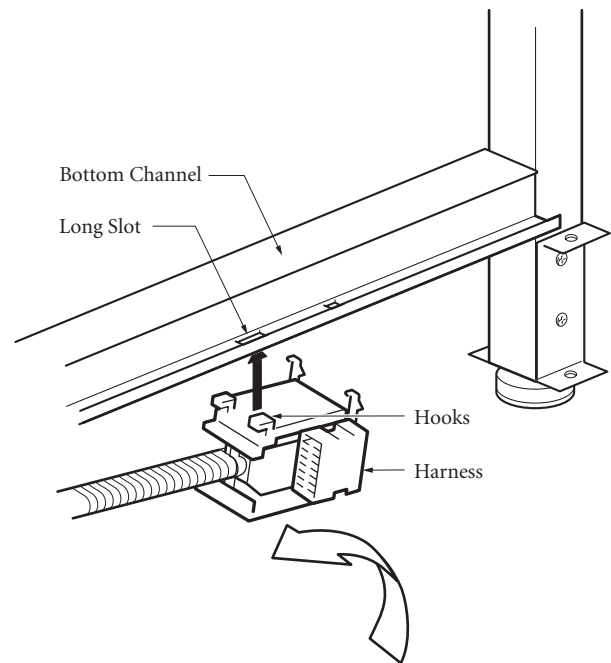


Figure B

