

Top Cap and Off-Module Splice

Installation

Note: Xsite Traxx® lock brackets must be installed prior to installation of top cap. Top caps can be field cut to length if necessary due to reconfiguration or changes.

1. Engage bottom flanges of top caps onto Xsite Traxx at top of structure. Push straight down. (Figure A).
2. For off-module applications, slide square end of off-module splice into top cap of the off-module structure run and slide over perpendicular top cap. (Figure B).

Figure A

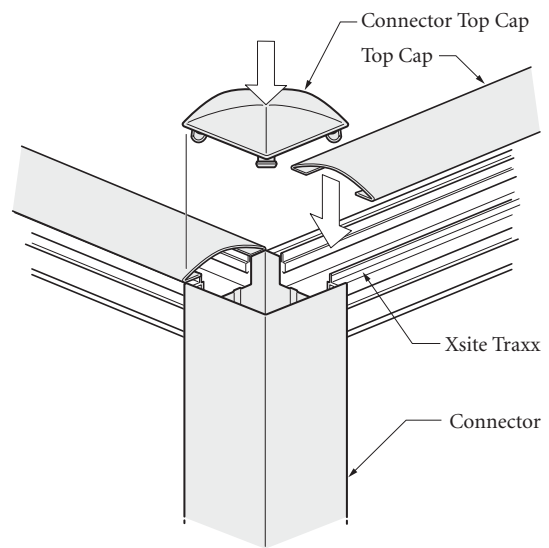


Figure B

