

Definition®

Set-on-Surface Bookcase

Tools Required

- Pencil or Erasable Marker ■ Scissors or Utility Knife

Package Contents

- Double-sided Adhesive Tape

Installation

Note: It is recommended that two (2) persons be used to lift and place the set-on surface bookcase.

1. To securely attach a set-on-surface bookcase to a worksurface, carefully turn the bookcase upside down on a smooth, hard surface. Cut two strips of double-sided adhesive tape and place them along the bottom panel as shown. **DO NOT** remove the film backer to expose the adhesive at this time. (Figure A).

2. Carefully turn the bookcase upright and place it on the worksurface in its desired position. Mark this location.

Note: The worksurface **MUST** be clean, dry, and free of any dirt or residue to assure adequate adhesion. Lift the bookcase and remove the film backers from the double-sided adhesive tape. Adhere the bookcase to the marked location on the worksurface. (Figure B).

Caution: The tape is a very strong adhesive and bonds instantly to any surface it is applied to.

Figure A

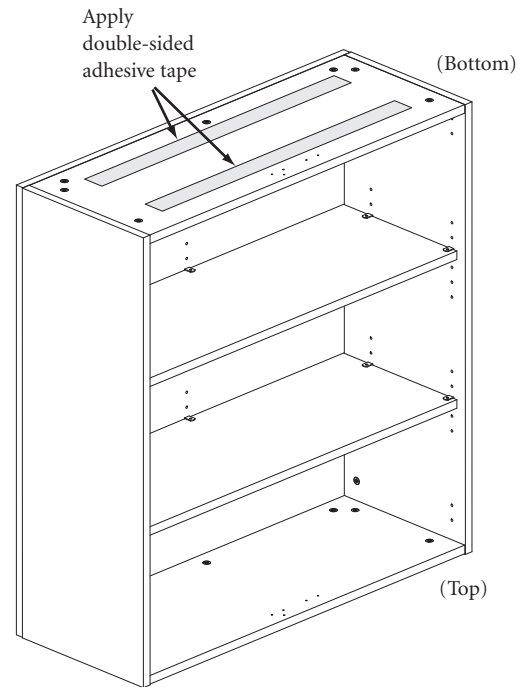


Figure B

