

# Prevail™

## Bookcase Leveling and Shelf Removal

### Tools Required

- Level
- Phillips Screwdriver
- 7/32" Nut Driver

### Package Contents

- 4 Black Plastic Inserts

### Installation

1. Bookcase: The lower shelf has holes which access the leveling glides. Turn the glides fully "in" (counterclockwise) prior to leveling. Level the unit from front to back by extending the glides (turn clockwise). Level the unit from side to side. Check adjustments by placing the level in the four positions shown. After leveling, insert black plastic inserts into leveling glide opening. (Figure A).
2. An adjustable shelf consists of a shelf and four shelf support brackets. (Figure B).

Figure A

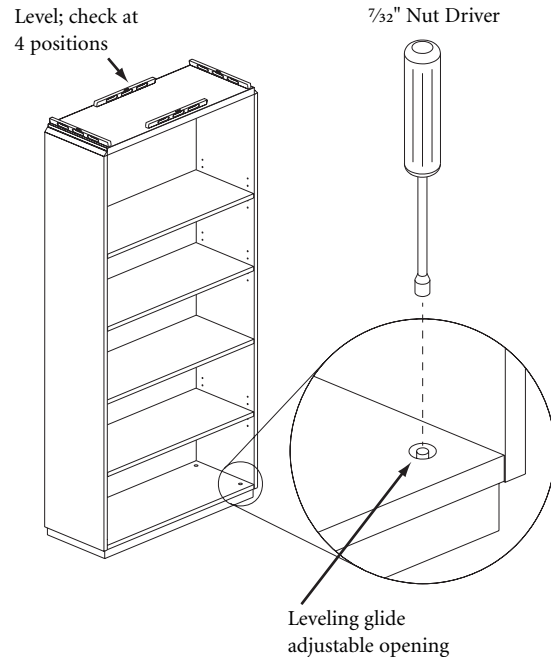
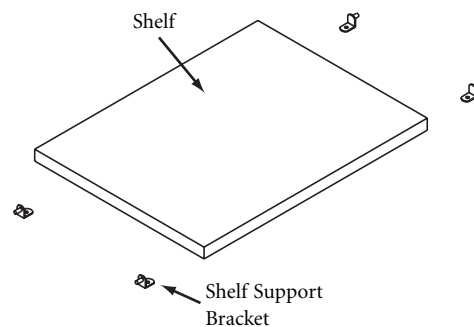


Figure B



# Prevail

## Installation (continued)

3. All cabinets feature pre-bored holes 1¼" apart. Recommended spacing is #2 position as shipped, for proper ring binder clearance. (Figure C).
4. For repositioning of shelves, the shipping screws must be removed. (Figure D). Remove shelf and move shelf support brackets to desired hole locations, making sure all are at the same level.
5. For additional security, adjustable shelves can be fastened into position using #6 x 5/8" panhead screws.

Figure C



Figure D

