

Prevail™

Tackboards

Tools Required

- Level
- Drill/Screw Gun
- #2 Phillips Head Bit
- Small Blade Screwdriver

Package Contents

- #8 x 5/8" Flathead Screw

Installation

1. Tackboards can be attached to any highback organizer to provide a tackable surface. Tackboards can also be wall mounted. The tack panel is provided with routed channels on the back side to help manage cords. (Figure A).
2. Insert a screw into the hole of each loose dual lock pad, as required. (Figure B).
3. Press pads with screws protruding against the pads which are already mounted to the back of the tackboard, locking the pads together. Position tackboard on mounting surface, making sure it is level. Apply pressure on tackboard over pads to mark surface with screw points. (Figure C).
4. Carefully detach pads with small blade screwdriver and fasten to mounting surface in locations marked in Step 3. Position tackboard against mounting surface, making sure it is level, and press tackboard firmly at each pad location until each pair of pads snap together.
5. **Wall Mount Caution:** Pads should be located on wall studs, or secured to wall with anchors (not provided).

Figure A

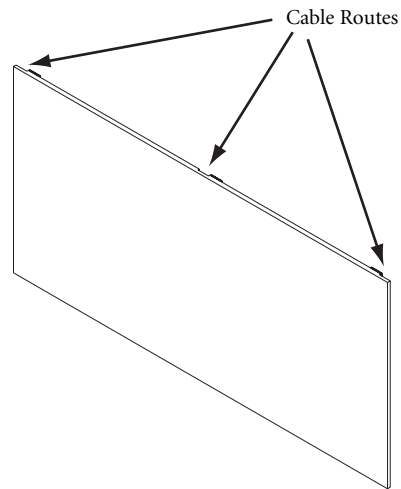


Figure B

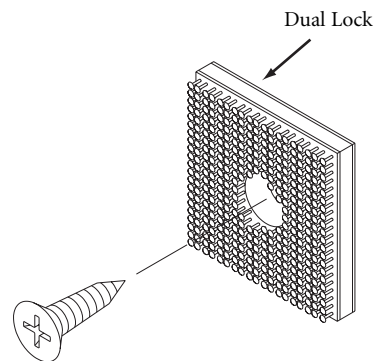


Figure C

