

Prevail™

Wall Mounted Overhead Cabinets

Tools Required

- Phillips Screwdriver

Installation

Caution: For safety, it is recommended that more than one person lift overhead cabinets into final position.

Note: Once the Hanger Rail has been installed properly, following the Wall Mounted Overhead Bracket assembly sheet, the overhead cabinets are ready for installation.

1. Carefully lift and place overhead cabinet flush against the wall so that the hanger brackets attached to the overhead are above the hanger rail, and the hanger rail is centered between the end panels of the overhead. Carefully lower the overhead cabinet until the hanger brackets engage the hanger rail. Make sure all hanger brackets are firmly seated on the hanger rail and the overhead is level and flush against the wall. If necessary, carefully lift overhead cabinet off of hanger rail and re-position. (Figure A).
2. **Side Adjustment:**
Turn front screw clockwise to increase door overlay, counterclockwise to decrease overlay. (Figure B).
3. **Depth Adjustment:**
Loosen back screw. Adjust door to desired position and tighten screw. (Figure C).

Figure A

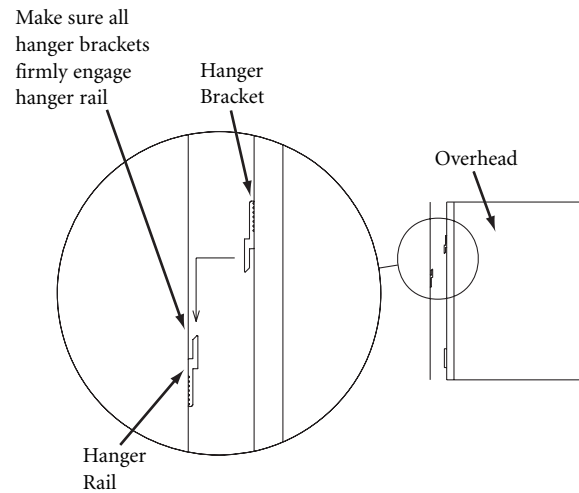


Figure B

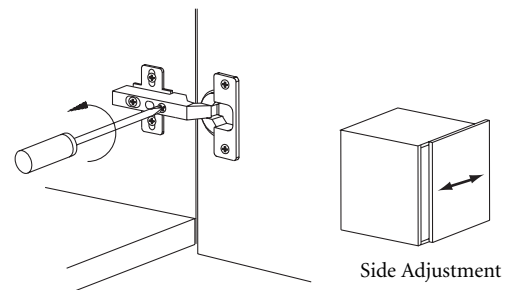
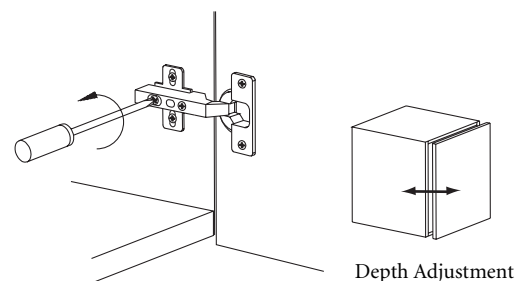


Figure C



Prevail

Installation (continued)

4. Height Adjustment:

Loosen screw(s) on the mounting plate. Adjust door to position and tighten screws. (Figure D).

5. Door Removal and Installation:

To remove, pull release lever back. (Figure E). To re-install, place the hinge on the mounting plate and push the rear of the hinge with finger pressure. The snap sound confirms a secure attachment.

Figure D

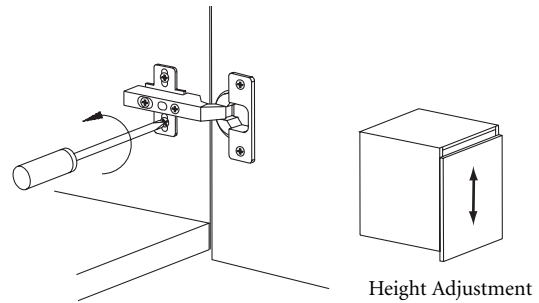


Figure E

