

Xsite®

## Attach Privacy Panel to Xsite

### Tools Required

- Level
- Phillips Screwdriver

### Package Contents

- Caster
- Double-sided Adhesive Tape
- Clamp Plate
- Attachment Bracket
- Base Pivot Bracket with Carpet Gripper
- 2 10-24 x ½" Flathead Machine Screws

### Installation

**Note:** On Xsite panels, the privacy panel attachment bracket can be installed at the 5-high position **only**. (Figure A).

1. Tilt clamp plate slightly and insert the plate into the Xsite Traxx channel at the desired position.  
**Note:** Privacy panel can be installed at any location along an Xsite Traxx. (Figure B).
2. Position the attachment bracket over the clamp plate and use the screws provided to connect the attachment bracket to the plate. Tighten screws securely when attachment bracket is in desired position. (Figure C).
3. Insert base pivot bracket and caster into openings in bottom of the posts on privacy panel. Make sure bracket and caster fully seat. (Figure D).

Figure A

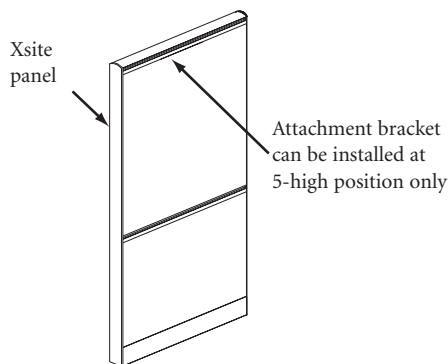


Figure B

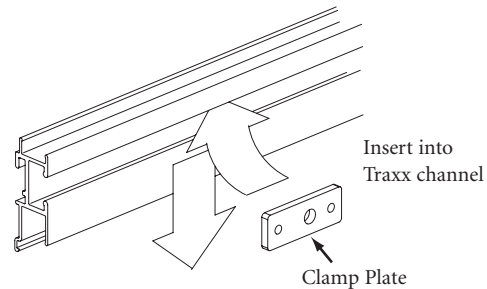


Figure C

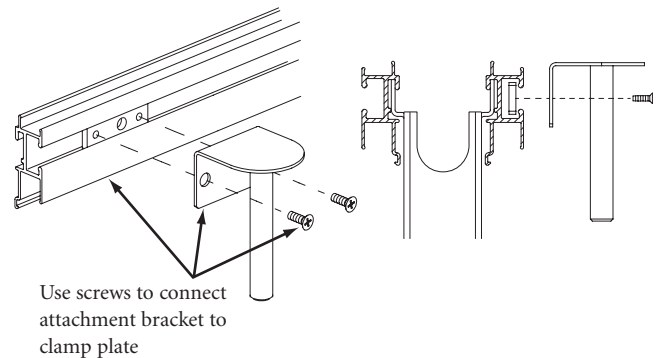
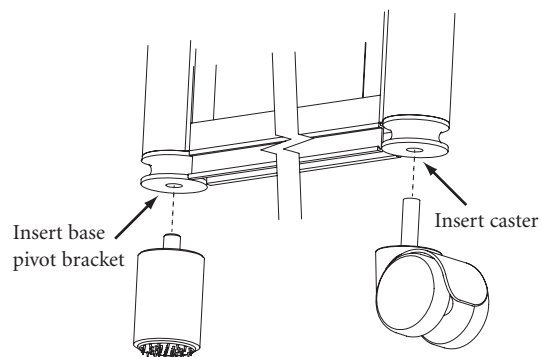


Figure D



Proper product installation, in accordance with these instructions, is the responsibility of the installing agent. If you have any questions concerning these instructions, please call Kimball Office Customer Service.

Kimball®Office

# Xsite

## Installation (continued)

4. In situations where the base pivot bracket will sit on a non-carpeted floor, remove the carpet gripper from the bottom of the base pivot bracket and attach a piece of the double-sided adhesive tape provided. (Figure E).
5. Tilt the top of the privacy panel towards the Xsite panel and insert attachment bracket into the hole in top of the same post on the privacy panel where base pivot bracket is installed. Rotate the bottom of the privacy panel inward toward the Xsite panel. (Figure F).
6. For correct operation the privacy panel must be level. You can adjust the location of the base pivot bracket, top attachment bracket, and caster to position the panel correctly. Ensure that the panel is level in the open and closed positions. When leveled, press down slightly on panel to engage the carpet gripper or double-sided tape on bottom of base pivot bracket. (Figure G).

Figure E

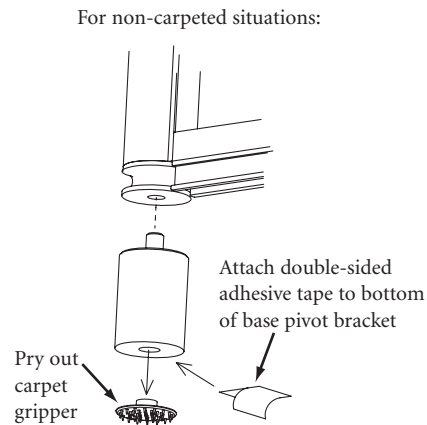


Figure F

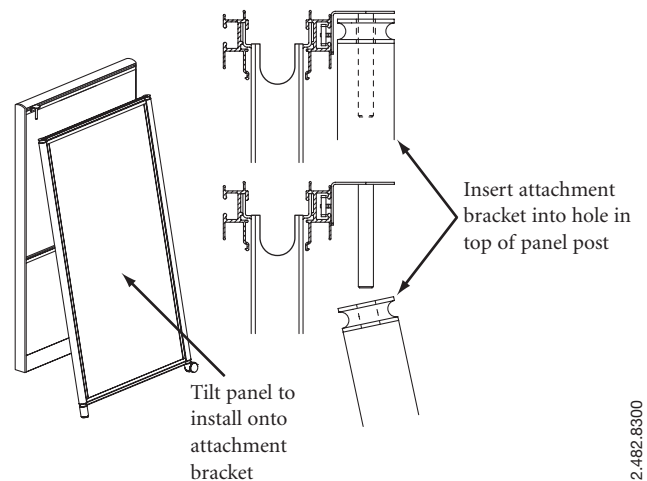


Figure G

