

Prevail®

Bridge/Modesty Panel Attachment

Tools Required

- Phillips Screwdriver or Screw Gun
- Phillips Head Bit

Package Contents

- Bridge Worksurface
- Modesty Panel
- Hinges (2 or 3)
- 2 Slide Bolts
- 4 Flat Brackets
- 4 #6 x 3/4" Screws
- #8 x 1" Screws (6 for 2 hinges, 9 for 3 hinges)
- #8 x 5/8" Screws (6 for 2 hinges, 9 for 3 hinges)
- 32 #10 x 1" Panhead Screws

Installation

- Place the bridge worksurface face down on a smooth, solid surface. Take care to not mar the worksurface.
- Mount each hinge to the bottom of the worksurface using three (3) #8 x 1" screws inserted into the pre-drilled holes in the worksurface. (Figure A).

Note: The 22" and 28" bridges use two (2) hinges. All other bridge lengths use three (3) hinges.

- Attach Modesty Panel to hinges by inserting six (6) or nine (9) #8 x 5/8" screws provided through hinges and into pre-drilled holes in the back of the Modesty Panel. (Figure B).

Note: At this point, secure Modesty Panel tight enough to hold in place. Once assembled unit is mounted between other units and leveled, utilize the slotted mounting holes for final adjustment and alignment.

- Move main units to desired position. Level main units. Install the flat brackets to the main units in the approximate locations shown. Center the brackets with the edges of the unit worksurfaces. Attach brackets using the #10 x 1" panhead screws provided. (Figure C).

Figure A

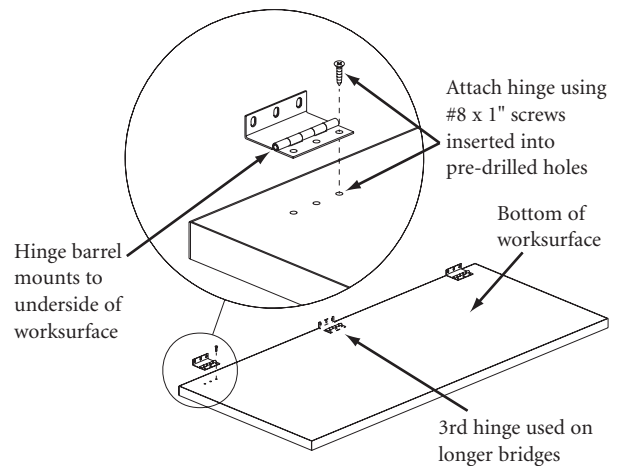


Figure B

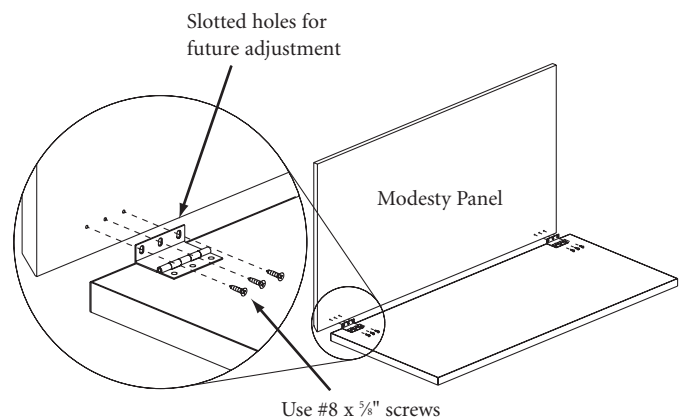
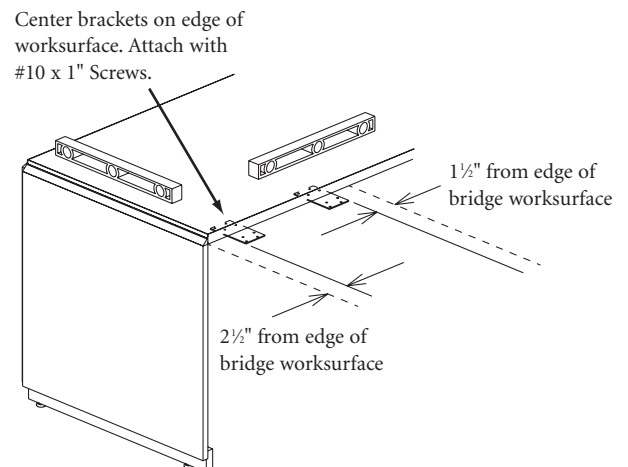


Figure C



Prevail

5. Align the bridge worksurface to the main units. Position the worksurfaces on the main units and bridge so their edges are tight against each other and flush with no gaps. Fasten bridge worksurface to the flat brackets using the #10 x 1" panhead screws provided. (Figure D).
6. Mount hinged modesty panel slide bolt by positioning the bottom of the bolt housing on top of the solid wood base on single pedestal desk (non-pedestal end), and on top of the solid wood base on single pedestal credenza (non-pedestal end). With bolt in closed position, align the edge of the slide to the edge of the end panel. Attach bolt housing to end panel using two (2) #6 x 3/4" screws. (Figure E).
7. When complete, the slide bolt does not have a slot that accepts the bolt. When fully extended, the bolt will be visible. (Figure F).

Figure D

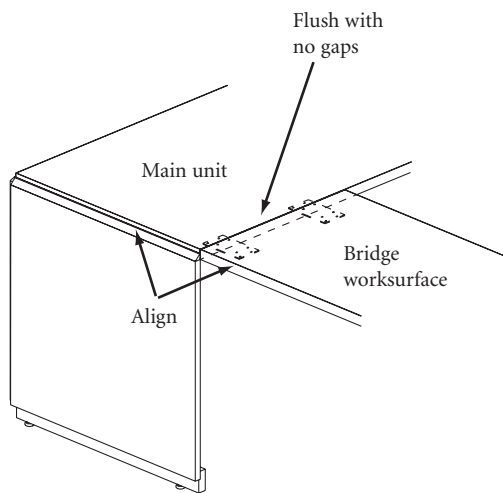


Figure E

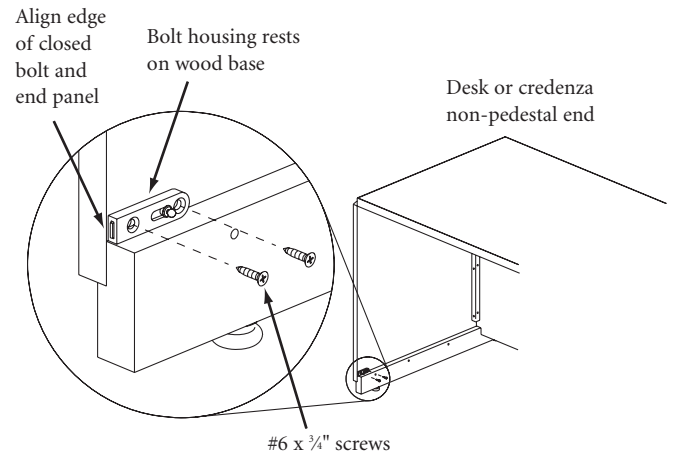


Figure F

