

Prevail®

Return and Modesty Panel Attachment

Tools Required

- Tape Measure
- #2 Phillips Head Bit
- Screw Gun
- Level
- Drill Bits

Package Contents

- 2 Slide Bolts
- 2 Flat Brackets
- Modesty Panel
- 3 Hinges
- 16 #10 x 1" Panhead Screws
- 9 #8 x 1" Screws
- 9 #8 x 5/8" Screws
- 4 #6 x 3/4" Screws

Installation

1. A return can be placed against a non-pedestal end of a single-pedestal desk or single-pedestal credenza. The return can also be placed against the "U" Shaped desk. Attach the flat brackets to the appropriate side of the desk for right or left return. Level main unit. Install the flat brackets to the main unit in the approximate locations shown. Center the brackets with the edge of the unit worksurface. Attach brackets using the #10 x 1" Panhead Screws provided. (Figure A).
2. Place the return against the non-pedestal end of the single-pedestal desk or single-pedestal credenza with the worksurface on top of the flat brackets. Level the return. Align the edges of the worksurface of the return with the edges of the worksurface of the desk or credenza. Make sure all edges are flush with no gaps. (Figure B).
3. With both units level and in place, attach the return worksurface to the flat brackets mounted on the desk or credenza using the #10 x 1" panhead screws provided. (Figure C).
4. With units attached and leveled, install one slide bolt using the #6 x 3/4" screws on non-pedestal end of desk or credenza as shown in Figure D. The bolt will be visible when extended to meet the modesty panel.

Figure A

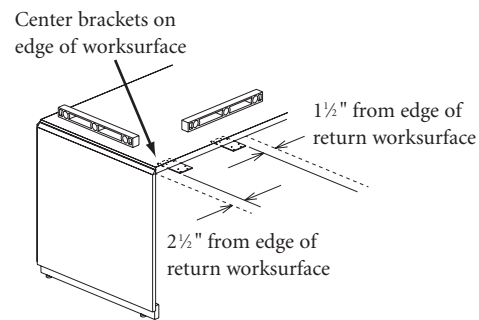


Figure B

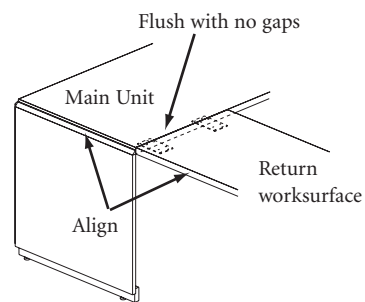


Figure C

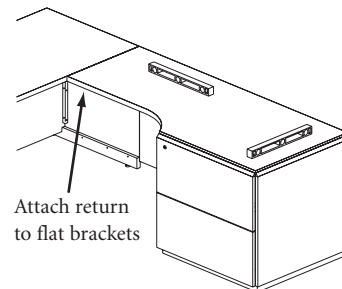
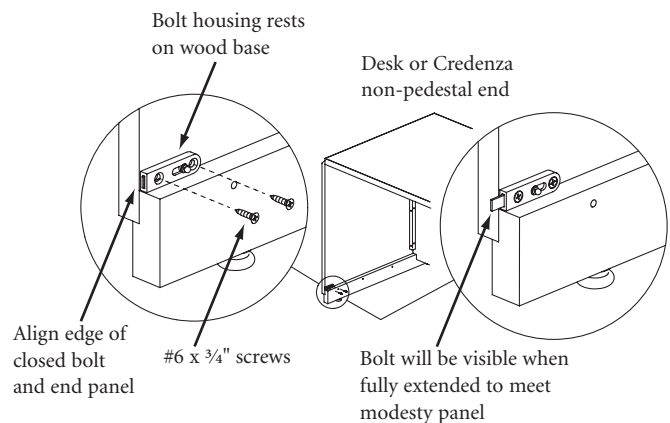


Figure D



Prevail

Installation (continued)

5. Mount each hinge to the bottom of the unit worksurface using three (3) #8 x 1" screws inserted into the pre-drilled holes in the worksurface. (Figure E).
 6. Attach Modesty Panel to hinges by inserting nine (9) #8 x 5/8" screws provided through hinges and into pre-drilled holes in the back of the Modesty Panel. (Figure F).
- Note:** At this point, secure Modesty Panel tight enough to hold in place. Once assembled unit is mounted between other units and leveled, utilize the slotted mounting holes for final adjustment and alignment.
7. Install the remaining slide bolt onto the modesty panel. Make sure the bolt slides in the direction of the receiving slot in the pedestal end of the return. (Figure G).
 8. The pedestal end of the return has a slot that will accept the bolt mounted to the modesty panel. The side of the modesty panel nearest to the non-pedestal end of a return has no receiving slot. The slide bolt mounted to the return will be visible when fully extended. (Figure H).

Figure E

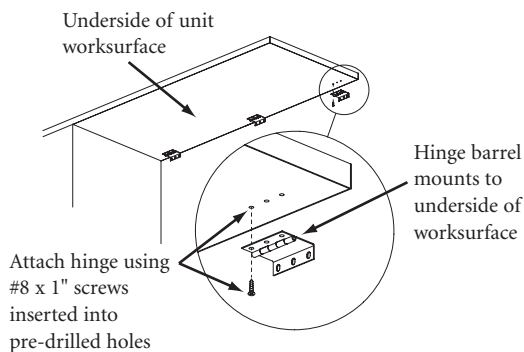


Figure F

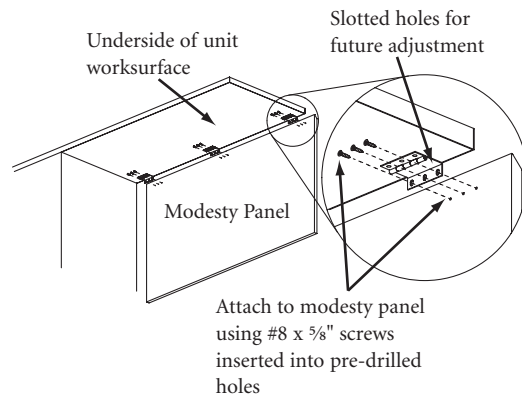


Figure G

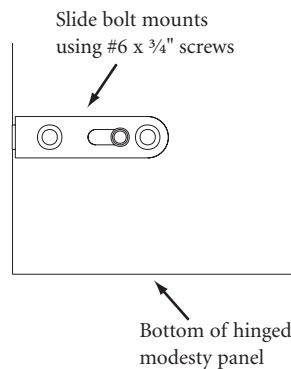


Figure H

