

Innsbruck/Osterley Park

Pediment Bridge

Tools Required

- Scissors or Utility Knife
- Ruler or Tape Measure

Package Contents

- 1 Pediment Bridge
- 1 Double-sided Adhesive Tape

Installation

1. Included with the pediment bridge is a roll of double-sided adhesive tape (shipped in the same carton) for attachment of the bridge to the overhead cabinet. (Figure A).
2. Attach a strip of the double-sided adhesive tape to the top edge of the overhead cabinet on all three sides. (Figure B).
3. Remove the peel coat from the adhesive tape. Secure the pediment bridge in the desired location. (Figure C).

Caution: The double-sided tape has a very strong adhesive that bonds instantly to any surface to which it is applied.

Figure A

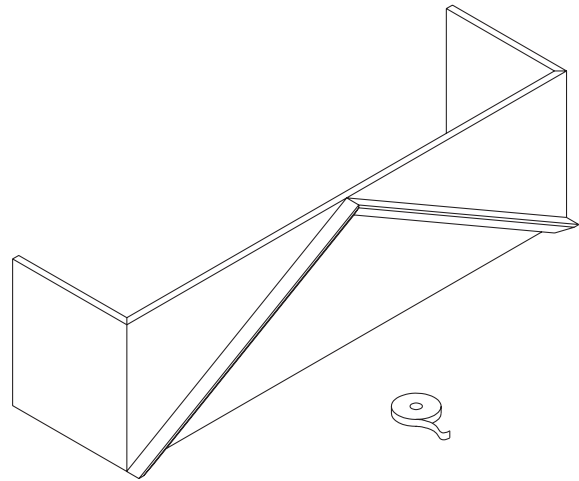


Figure B

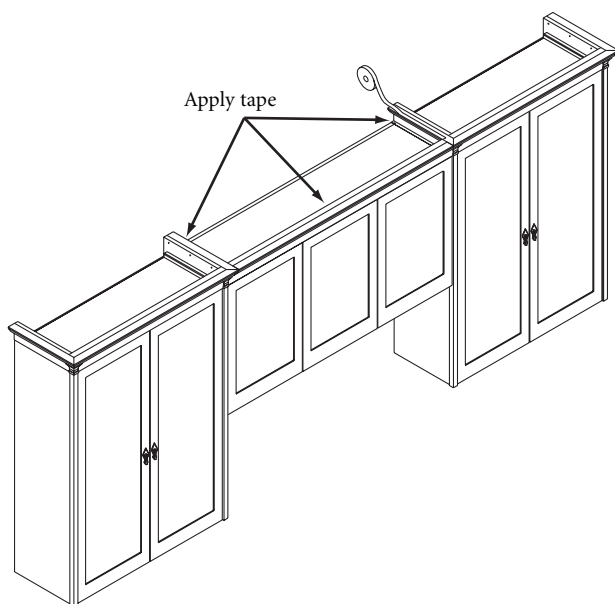


Figure C

