

Innsbruck/Osterley Park

Wood Shelf Removal and Adjustment and Door Hinge Adjustment

Tools Required

- Phillips Screwdriver

Package Contents

- None

Installation

Note: Shelves are secured in unit with shipping screws.

1. An adjustable shelf consists of a shelf and four (4) shelf support brackets. (Figure A).
2. All cabinets feature pre-bored holes 1¼" apart. Recommended spacing is #2 position as shipped, for proper ring binder clearance. (Figure B).
3. For repositioning of shelves, the shipping screws must be removed. (Figure C). Remove shelf and move shelf support brackets to desired hole locations, making sure all brackets are at the same level.
4. For additional security, adjustable shelves can be fastened into position by reusing the #6 x ½" panhead shipping screws.

Figure A

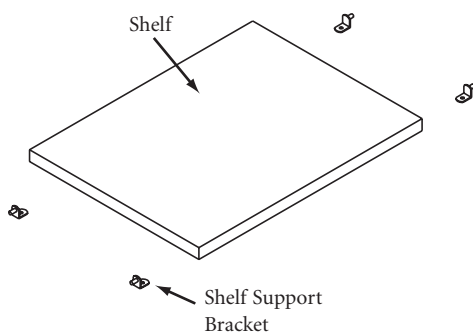
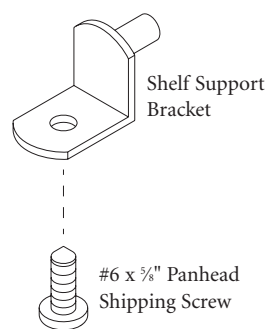


Figure B



Figure C



Proper product installation, in accordance with these instructions, is the responsibility of the installing agent. If you have any questions concerning these instructions, please call Kimball Office Customer Service.

Kimball Office

Innsbruck/Osterley Park

Installation (continued)

5. Side Adjustment:

Turn front screw clockwise to decrease door inset, counterclockwise to increase inset. (Figure D).

Note: Adjust margins around doors to be equal.

6. Depth Adjustment:

Loosen back screw. Adjust door to desired position and re-tighten screw. (Figure E).

7. Height Adjustment:

Loosen screw(s) on the mounting plate. Adjust door to position and tighten screws. (Figure F).

8. Door Removal and Installation:

To remove, pull release lever back. (Figure G). To re-install, place the hinge on the mounting plate and push the hinge with finger pressure. The snap sound confirms a secure attachment.

Figure D

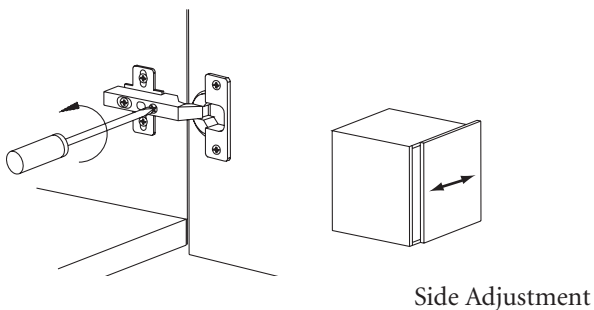


Figure E

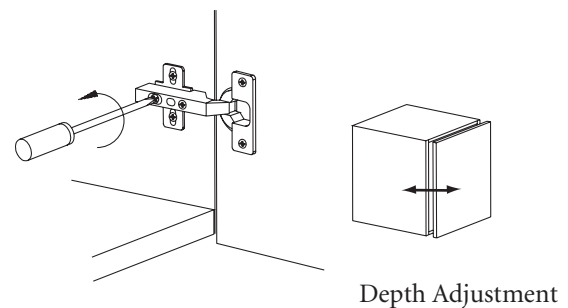


Figure F

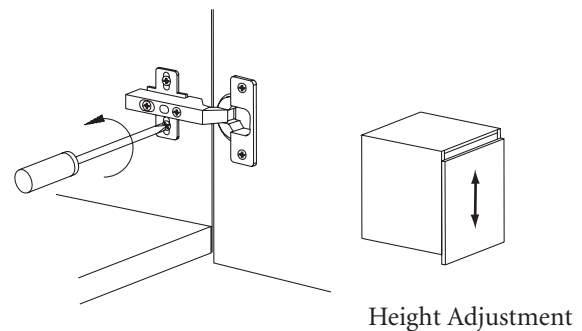


Figure G

