

Innsbruck/Osterley Park

Bridge Unit

Tools Required

- Level
- #2 Phillips Head Bit
- Tape Measure
- Screw Gun
- Drill Bits

Package Contents

- 4 Flat Brackets
- 2 Align-n-lock Fasteners
- 4 #8 x $\frac{5}{8}$ " Panhead Screws
- 44 #10 x 1" Panhead Screws
- Double-sided Tape
- 4 Hinges

Installation

1. The hinged modesty/bridge unit arrives un-assembled in a carton. Place the bridge face down on a smooth, hard surface. Take care to not mar the worksurface. (Figure A).
2. The bridge and modesty panel have pre-drilled holes used to attach the two units together with supplied hinges. Attach the hinge to the modesty panel using three #10 x 1" panhead screws in each hinge. Attach the modesty panel to the bridge using three of the provided #10 x 1" panhead screws in each hinge. (Figure B).
3. Turn the bridge assembly upright. The bridge assembly can be mounted between a single pedestal desk and credenza. (Figure C).
4. Position the main units in the desired locations. Leave enough space between the two units to allow for placement of the bridge. Level main units. Install the flat brackets to the undersides of the main units using the provided #10 x 1" panhead screws. Locate the flat brackets using the dimensions shown. Center the brackets with the edge of the unit worksurfaces. (Figure D).

Figure A

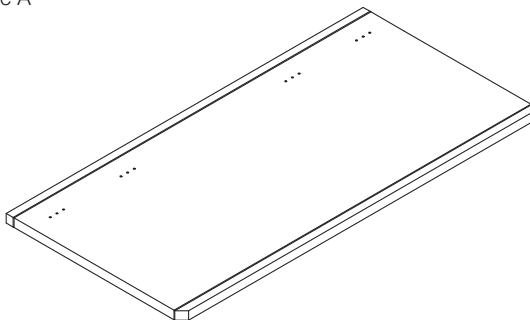


Figure B

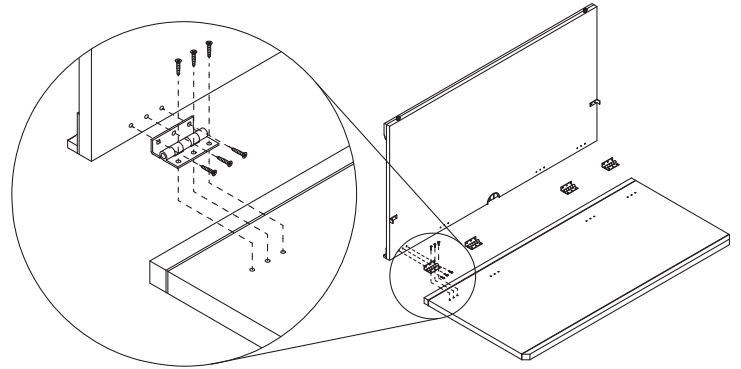


Figure C

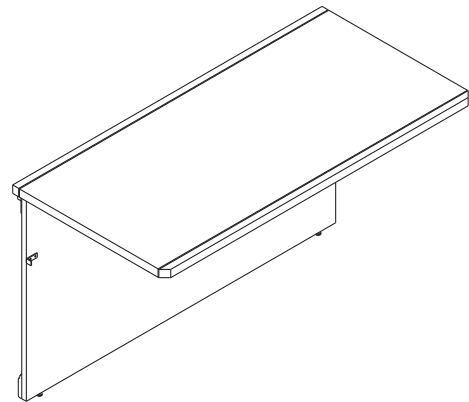
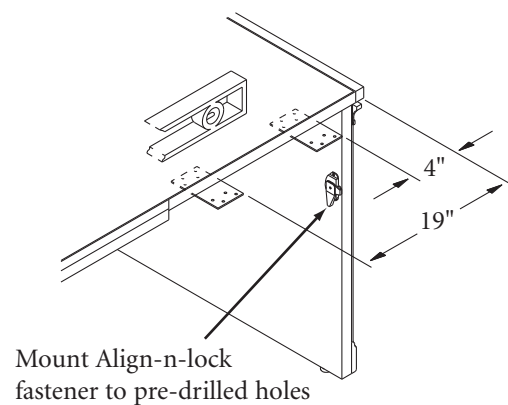


Figure D



Innsbruck/Osterley Park

Installation (continued)

4. (continued)

Note: Flat brackets are shipped on the underneath side of the bridge top.

Use the pre-drilled holes to install the quick align-n-lock fastener to the end panel of the desk using the #8 x 5/8" panhead screws. (Figure D). The fastener is shipped in the bridge hardware bag.

5. Align the bridge worksurface to the main units. Position the tops so the outer edges of the main units and bridge worksurface are tight and flush against each other with no gaps. Attach the bridge worksurface to the flat brackets using the provided #10 x 1" panhead screws. (Figure E).
6. Level all units. Align all margins vertically between the modesty panel and desk/credenza end panels. Eliminate all gaps. Engage quick align-n-lock fasteners on lower portion of modesty panel and rotate latch handles firmly. (Figure F). Adjust levelers on modesty panel snug to floor.

Note: Do not over-tighten levelers, otherwise units will become mis-aligned. (Figure G).

7. After unit is assembled, attach the enclosed flat mouldings and capitals over the seams where the bridge attaches to the desk and the credenza. Center the pieces over the seams and attach with enclosed double-sided tape. (Figure H).

Caution: When the bridge unit is placed against a wall we suggest the flat moulding and capital not be installed as the hinged modesty will no longer swing open for wall access.

Figure E

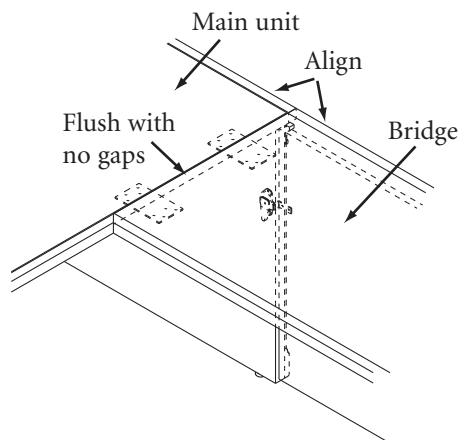


Figure F

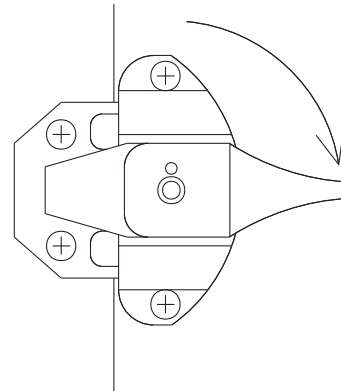


Figure G

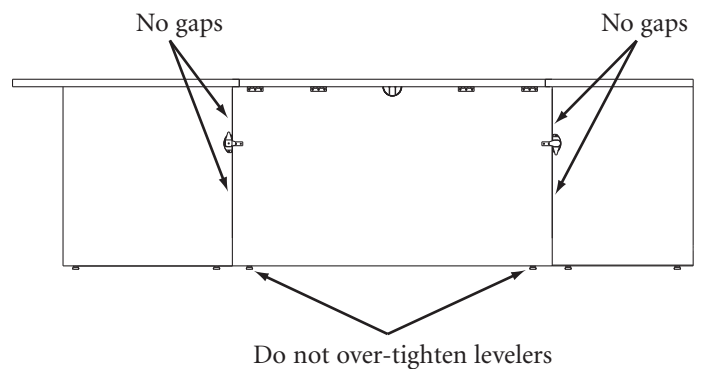
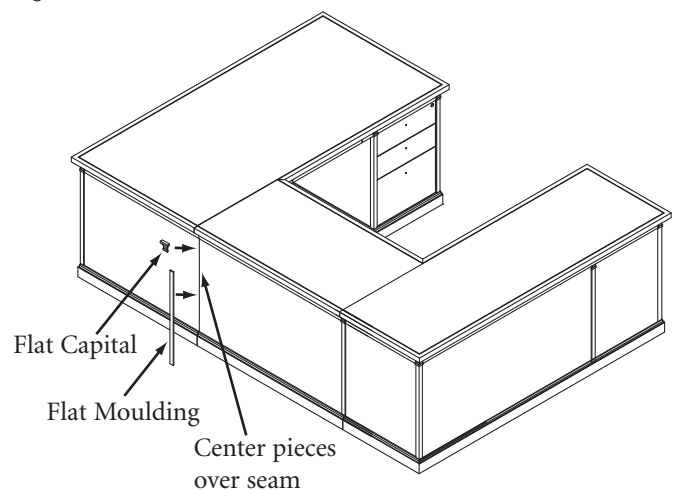


Figure H



Proper product installation, in accordance with these instructions, is the responsibility of the installing agent. If you have any questions concerning these instructions, please call Kimball Office Customer Service.

Kimball[®]Office