

# Innsbruck/Osterley Park

## Glass Shelf Removal and Adjustment and Door Hinge Adjustment

### Tools Required

- Phillips Screwdriver

### Package Contents

- None

### Installation

**Note:** Shelves are shipped uninstalled.

1. An adjustable shelf consists of a shelf and four (4) shelf support brackets. (Figure A).
2. All cabinets feature pre-bored holes 1¼" apart. Recommended spacing is #2 position, for proper ring binder clearance. (Figure B).
3. For repositioning of shelves, remove shelf and move shelf support brackets to desired hole locations. Make sure all brackets are at the same level.

Figure A

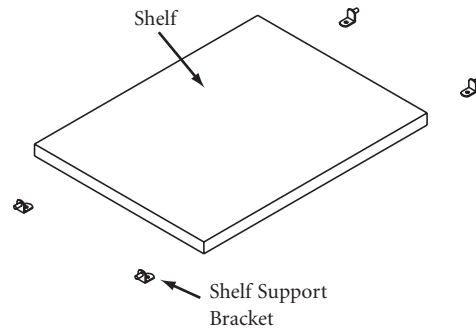
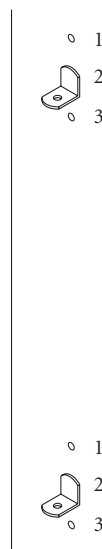


Figure B



# Innsbruck/Osterley Park

## Installation (continued)

### 4. Side Adjustment:

Turn front screw clockwise to decrease door inset, counterclockwise to increase inset. (Figure C).

**Note:** Adjust margins around doors to be equal.

### 5. Depth Adjustment:

Loosen back screw. Adjust door to desired position and re-tighten screw. (Figure D).

### 6. Height Adjustment:

Loosen screw(s) on the mounting plate. Adjust door to position and tighten screws. (Figure E).

### 7. Door Removal and Installation:

To remove, pull release lever back. (Figure F). To re-install, place the hinge on the mounting plate and push the hinge with finger pressure. The snap sound confirms a secure attachment.

Figure C

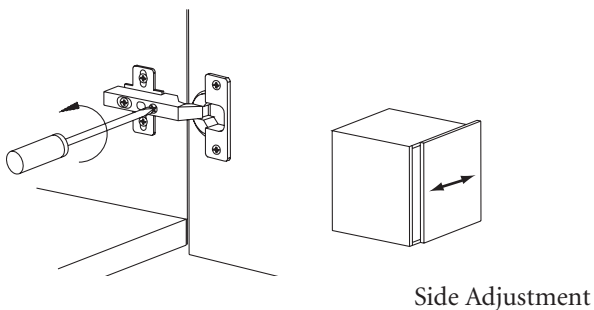


Figure D

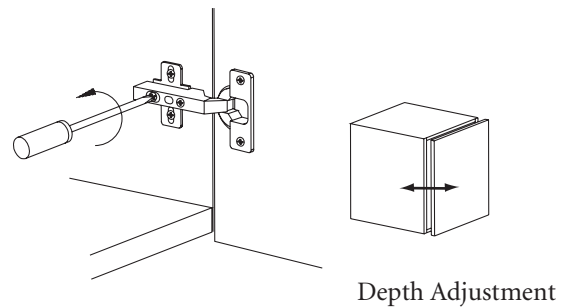


Figure E

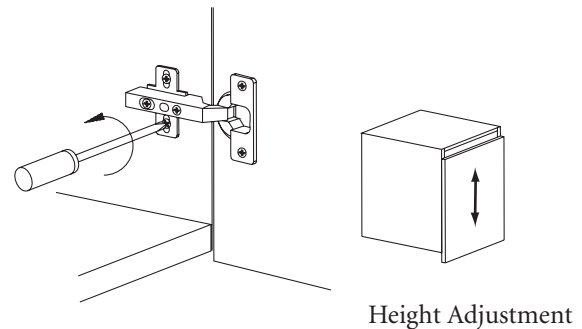


Figure F

