

President/Senator

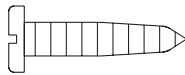
Bookcase Top Panel

Tools Required

- Level
- Tape Measure
- Power Screwdriver
- #2 Phillips Head Bit
- $\frac{3}{16}$ " Drill Bit

Package Contents

- 16 #8 x 1½" Screws



Installation

1. The top panel can be attached to one, two, or three bookcase units. Position the lower storage in the desired location. Level lower storage units. Position bookcase units onto lower storage in the desired location. Level all bookcase units. (Figure A).
2. Bore four $\frac{3}{16}$ " diameter holes approximately 2" in from the front, back and sides of each vertical storage unit. Position the top panel in the desired position on the bookcase units and attach from inside bookcase using provided #8 x 1½" screws. (Figure B).

Figure A

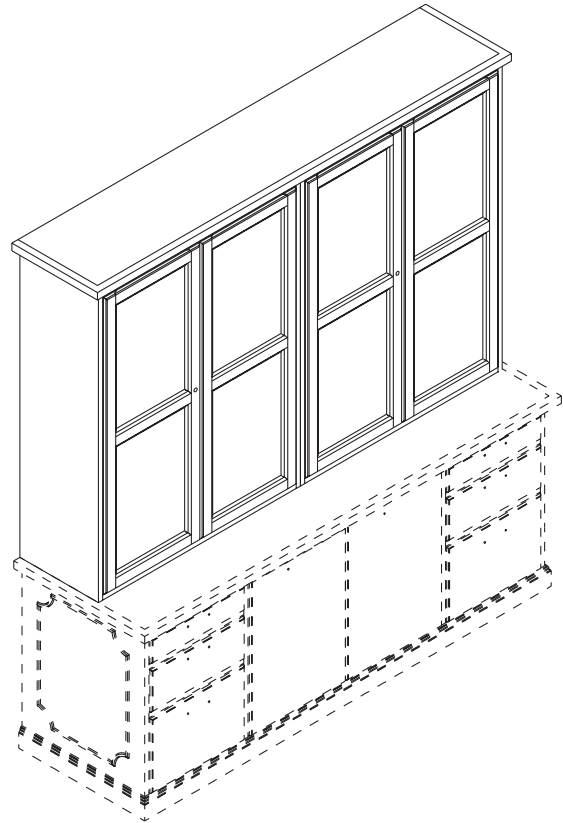


Figure B

