

# President/Senator

## Wall Mounted Overhead Bracket

### Tools Required

- Pencil
- Tape Measure
- Level  
(4 feet or greater)
- Metal Saw
- Variable Speed Drill  
with Torque Option
- Drill Bits
- Screw Bits

### Package Contents

- Overhead and Hanger Rail

### Installation

**Note:** Kimball International defines a structural wall as a load-bearing wall constructed of materials such as: poured concrete, concrete block, or studs. Wood studs must be a nominal 2" x 4" size minimum. Metal studs must be "C" channel, 20-gauge thick minimum. Metal or wood studs must be on centers no greater than 24" and have maximum height of 14' restrained at floor and ceiling. Interior walls shall be designed to resist not less than a force of 5 lbs. per square foot applied perpendicular to wall. The deflection of such wall under a load of 5 lbs. per square foot shall not exceed  $\frac{1}{240}$  of the span for walls with brittle finishes, and  $\frac{1}{120}$  of the span for walls with flexible finishes (per Uniform Building Code Section 2309b). If you have any questions concerning your load-bearing structures, please consult your architect or structural engineer.

1. Place overhead cabinet against structural wall in the desired location. Mark the top edge of the overhead and set it aside. Measure down  $8\frac{15}{16}$ " from the top edge mark and draw a level line. (Figure A).
2. Locate the wall substructure along the line drawn in step 1. For proper attachment of Hanger Rail to the wall, fasteners must tie directly into the substructure of the wall (studs, blocks, solid masonry).
3. Prepare wall for Hanger Rail attachment by pre-drilling for and/or installing fasteners along the line drawn in Step 1 per the fastener manufacturer's guidelines.

3. (continued)

Recommended spacing of fasteners is 16", but should not exceed 24" on center. **DO NOT** extend the Hanger Rail more than 6" beyond the last anchor attachment.

**Note:** It is the responsibility of the installer and/or the contractor to select and install the proper fasteners in the structural wall. Kimball International does not furnish fasteners or assume liability for their use.

- Hanger Rail must attach to five (5) studs
4. Place the Hanger Rail on the wall, centered in the desired location of the overhead, transfer the fastener locations from the wall to the Hanger Rail. (Figure B).

Figure A

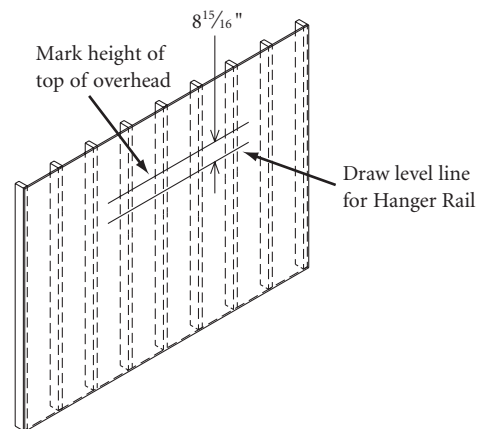
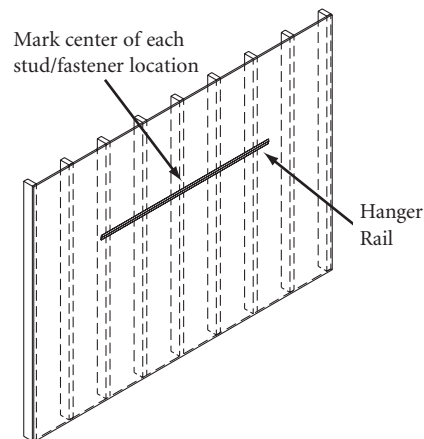


Figure B



# President/Senator

## Installation

5. Drill the appropriate diameter hole in the Hanger Rail per the fastener manufacturer's guidelines,  $\frac{3}{8}$ " above the bottom edge of the rail at the locations marked in Step 4. (Figure C).

**Note:** Hole sizes are dependent on the size of the fastener selected.

Recommended Fastener	Size	Model No.
Steel Stud (for $\frac{1}{2}$ " to $\frac{3}{4}$ " drywall): Hilti Toggler anchor toggle bolt	$\frac{1}{4}$ "-20 x 2" Grade 5 or equivalent with maximum head height of .134"	374494
Wood Stud (for $\frac{1}{4}$ " to $\frac{1}{2}$ " drywall; meets or exceeds ANSI/ASME B18.6.4 and SAE J933): Panhead sheet metal screw		10-2 PHPMS
Solid Masonry: Crown Bolt lag shields Buildex Tapcon concrete anchor screw	$\frac{1}{4}$ " x $1\frac{1}{2}$ " $\frac{1}{4}$ " x $2\frac{1}{4}$ "	
Masonry Block: Hilti Toggler anchor toggle bolt	$\frac{1}{4}$ "-20 x 2" Grade 5 or equivalent with maximum head height of .134"	374494
Crown Bolt lag shields Buildex Tapcon concrete anchor screw	$\frac{1}{4}$ " x $1\frac{1}{2}$ " $\frac{1}{4}$ " x $2\frac{1}{4}$ "	

6. Attach Hanger Rail to wall aligning bottom edge of rail with level line drawn in Step 1. Ensure that each fastener is securely attached to wall substructure. (Figure D).
7. Place overhead cabinet flush against the wall so that the hanger brackets attached to the overhead are above the wall Hanger Rail and is between the end panels of the overhead. Carefully lower the overhead cabinet until the cabinet hanger brackets engage the wall Hanger Rail. Make sure the cabinet hanger brackets are firmly seated on the wall Hanger Rail. (Figure E).

Figure C

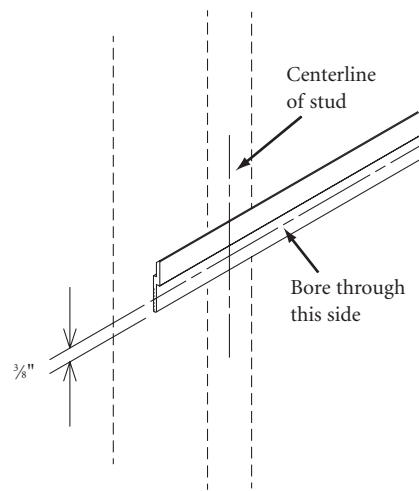


Figure D

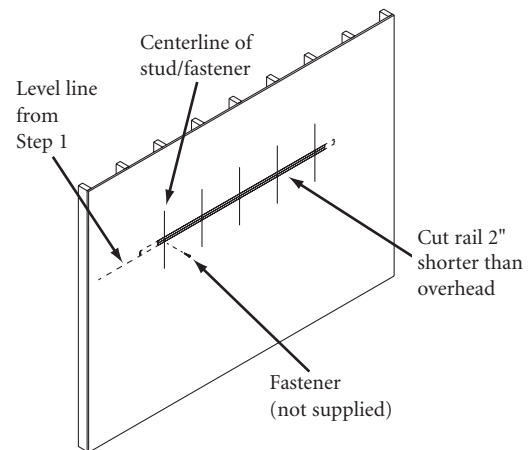
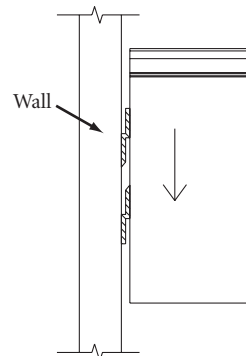


Figure E



Printed in U.S.A. © 2003 Kimball International, Inc. T 800.482.1818 F 812.482.8300

Proper product installation, in accordance with these instructions, is the responsibility of the installing agent. If you have any questions concerning these instructions, please call Kimball Office Customer Service.

Kimball<sup>®</sup>Office