

Definition[®]

Executive Return Executive Bridge

Tools Required

- Tape Measure
- #2 Phillips Head Bit
- Screw Gun
- Level

Hardware Required

- #10 x 1" Panhead
- #8 x 1¼" Panhead

Installation

1. Position the main unit in the desired location. Level main unit. Install the flat brackets to the main unit using #10 x 1" panhead screws provided. (Figure A).
2. Align the return or bridge unit up to the main unit. Position the tops so the outer edge of the main unit and return unit are flush and pull tight against main unit. Fasten return top to the flat brackets using #10 x 1" panhead screws provided. (Figure B).
3. Align the main unit end panel and the return unit modesty panel to eliminate any crack between them. This can be done by adjusting the levelers up/down on the return or main units. Once the crack is eliminated, attach the main unit to the return unit using the return connecting rail and #8 x 1¼" panhead screws provided. Re-level units. (Figure C).

Figure A

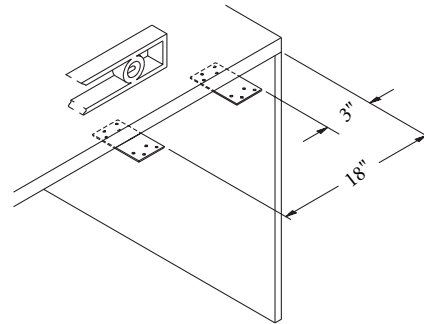


Figure B

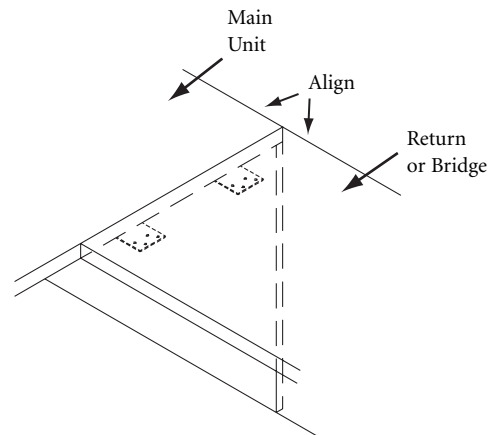


Figure C

