

Definition®

Component Returns

Tools Required

- Tape Measure
- #2 Phillips Head Bit
- Screw Gun

Hardware Required

- #8 x 1" Panhead
- #8 x 5/8" Panhead
- #8 x 1" Flathead
- Bracket

Installation

1. A component return consists of a component worksurface, component pedestal(s), and a return modesty panel. These components are non-handed and can be configured as a left or right return unit. (Figure A).
2. To install, place worksurface on a clean soft surface, underside facing up. The pedestal should be positioned so the side is 5/64" from the edge of the worksurface. The pedestal should set 53/64" from the back edge of the worksurface. (Figure B).
3. It is critical that the modesty panel extend 5/64" beyond the edge of the top in order to link to the main unit! Fasten pedestal metal rail and metal brackets to worksurface using #8 x 1" panhead screws. Fasten modesty to pedestal using #8 x 5/8" panhead screws. (Figure C).
4. Fasten modesty panel to worksurface through bracket using screws provided. (Figure D).
5. To assemble return to main unit see Executive Return, Executive Bridge Units instruction sheet.

Figure A

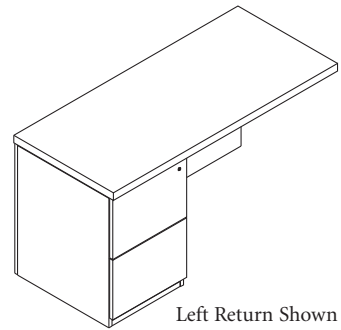


Figure B

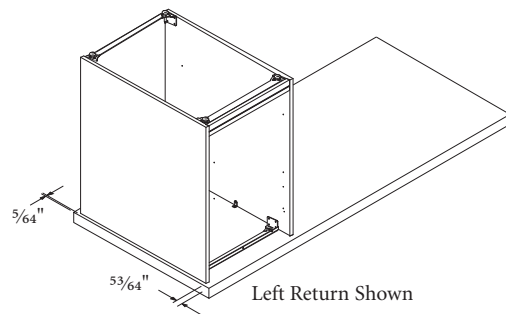


Figure C

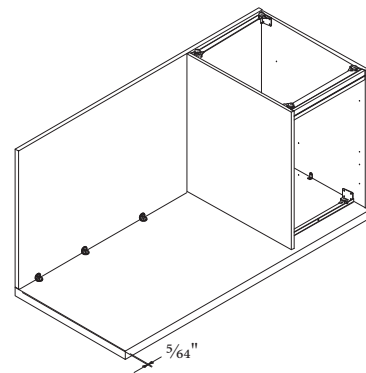
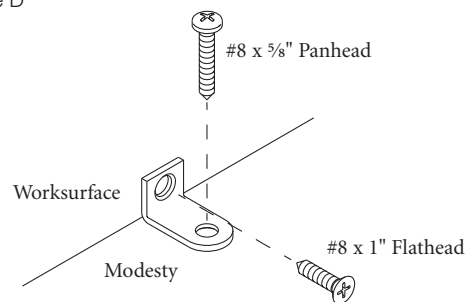


Figure D



Printed in U.S.A. © 2010 Kimball International, Inc. T 800.482.1818 F 812.482.8300

Proper product installation, in accordance with these instructions, is the responsibility of the installing agent. If you have any questions concerning these instructions, please call Kimball Office Customer Service.

Kimball®Office