

# Definition®

## Breakfront Modesty (Kneewell)

### Tools Required

- Tape Measure
- #2 Phillips Head Bit
- Screw Gun
- Square

### Hardware Required

- #8 x 1" Panhead
- #8 x 5/8" Panhead
- #8 x 1" Flathead
- Bracket

### Installation

1. A breakfront modesty panel can be used between any two component pedestals to make a desk or credenza configuration. (Figure A).
2. Remove drawers from pedestals, then position pedestals upside-down on underside of worksurface. Attach the bracket to the pedestal at the desired position using #8 x 5/8" panhead screws. (Normal modesty position is 3" from the approach side of the desk). Attach modesty to brackets using #8 x 5/8" panhead screws. Position pedestal/modesty assembly to underside of top holding a margin of 5/64" on each side and 1 1/16" from the user edge to the pedestal wood rail. Fasten pedestal metal rail and metal brackets to worksurface using #8 x 1" panhead screws. (Figure B).

**Note:** Make sure drawers are returned to their original location. To install, place worksurface on a clean soft surface, underside facing up.

3. Fasten modesty to worksurface using screws provided. (Figure C).

Figure A

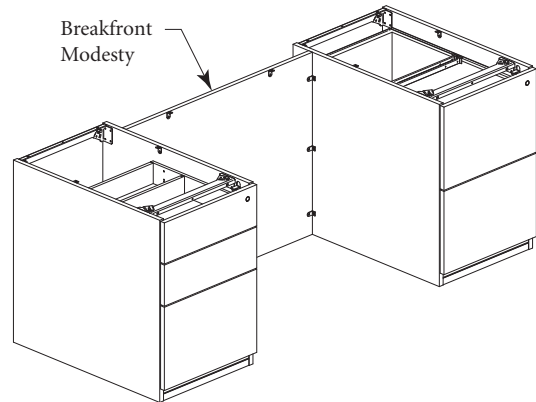


Figure B

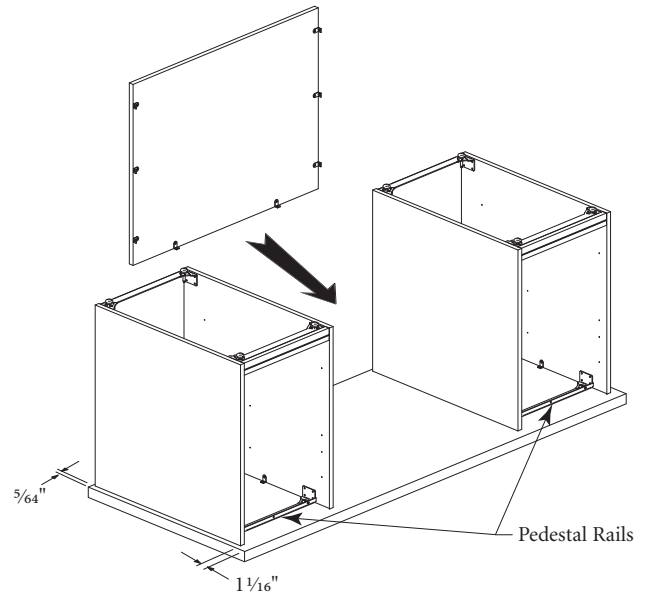


Figure C

