

Definition®

Ganging Kit

Tools Required

- #2 Phillips Head Bit
- Screw Gun

Hardware Required

- #8 x 5/8" Panhead

Installation

1. The ganging bracket is used to connect two pedestals or two storage units together without defacing the exterior of the cabinets. (Figure A).
2. Pedestals can be ganged together using ganging brackets at either the top or bottom of the two units. If only one bracket is being used, it should be positioned at the bottom location. Use #8 x 5/8" panhead screws provided with ganging kit. (Figure B).
3. Wall mount overhead storage units can be ganged together using a ganging bracket under the two units. Use #8 x 5/8" panhead screws provided with ganging kit. (Figure C).
Note: Use only with wall mount overhead storage units.

Figure A

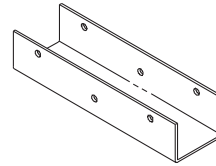


Figure B

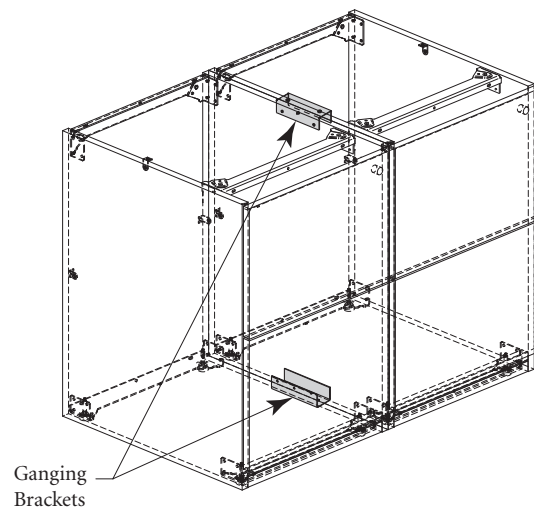


Figure C

