

## Door Kit for Fold Down Tile

**Caution:** Store all tiles flat until installed. Do not stack on top of tiles.

### Tools Required

- Tape Measure
- #10 Phillips Screwdriver Bit
- Cordless Drill/Driver
- Channel Locks or Pliers

### List of Kit Contents

- |                  |                         |
|------------------|-------------------------|
| 1 Door           | 6 #10-24 Pan Head Bolts |
| 2 Pivot Arms     | 4 #10-24 Hex Nuts       |
| 2 Pivot Brackets | 2 #10-24 Lock Nuts      |
| 4 Nylon Washers  | 1 Magnetic Catch        |
| 2 3/16" Pushnuts | 2 #6 x 1/2" Screws      |

### Installation

1. If adding to an installed tile, remove tile by lifting up and tilting out at bottom. (Figure A).
2. On each pivot arm pin, install one #10 flat nylon washer. Engage each pivot arm pin into slot on each side of door. Place pushnut over pin and press on with pliers or channel locks. Repeat for opposite pushnut and pin. (Figure B).
3. With curve of pivot bracket down, align holes in bracket with bottom two holes on inside of tile. From inside of tile, insert two #10 x 1/2" Phillips pan head bolts through bracket and tile side. Install two #10-24 hex nuts to bolts and tighten. (Figure C).
4. Insert pivot shaft on door into hole on attached pivot bracket. (Figure C).
5. Slide remaining pivot bracket over pivot shaft on opposite end of door. Repeat step 3 for pivot bracket attachment on other end.

Figure A

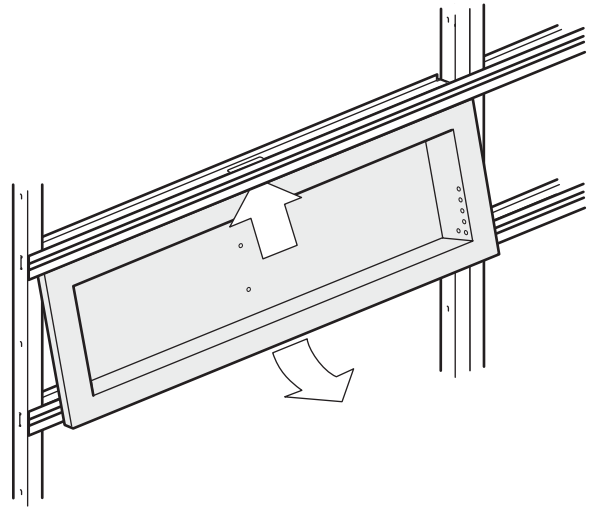


Figure B

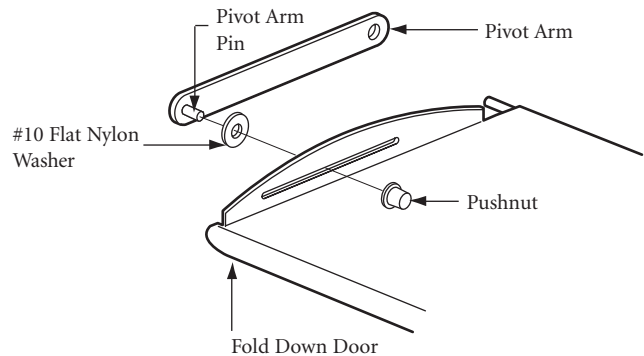
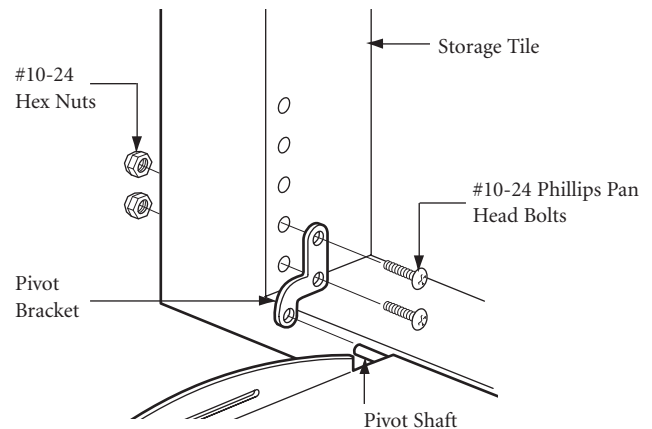


Figure C



# Xsite

## Installation, continued

- Align #10 flat nylon washer, then hole in pivot arm with middle hole on inside of tile. Insert #10-24 Phillips pan head bolt. Install #10-24 hex lock nut and tighten. Repeat for opposite pivot arm. (Figure D).
- Attach magnetic catch to upper inside edge of storage tile by inserting two #6 x 1/2" screws into pre-drilled holes and tighten. (Figure E).

**Note:** If storage tile was produced prior to 10/15/03, magnetic catch holes will need to be located and drilled on site.

- Insert top of tile into upper Xsite Traxx® and lower into Xsite Traxx below. (Figure F). Carefully slide left or right to align.

Figure D

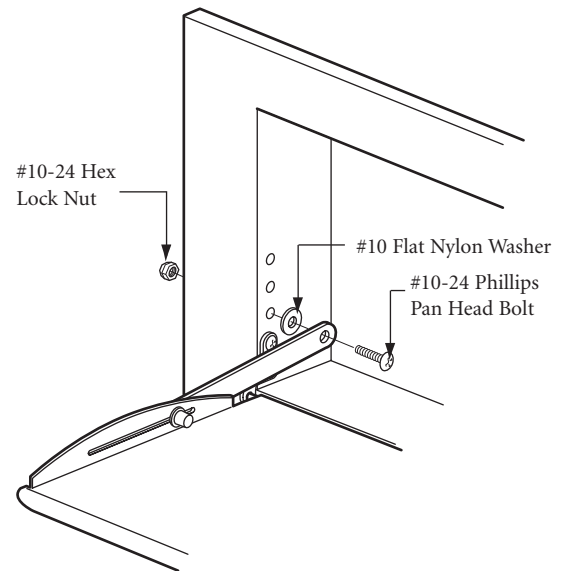


Figure E

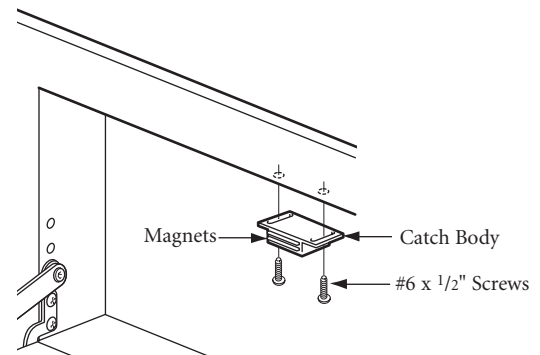


Figure F

