

# Definition<sup>®</sup>

## Pedestal Filler Strip

### Tools Required

- Tape Measure

### Installation

1. A pedestal filler strip is used at the rear of the pedestal when a back panel or modesty panel is not in use. (Figure A).
2. Peel double face tape and attach filler strip to back edge of pedestal end panel. Filler strip can be used on right or left side. Hold  $\frac{5}{64}$ " from edge of filler strip to edge of end panel. (Figure B).

Figure A

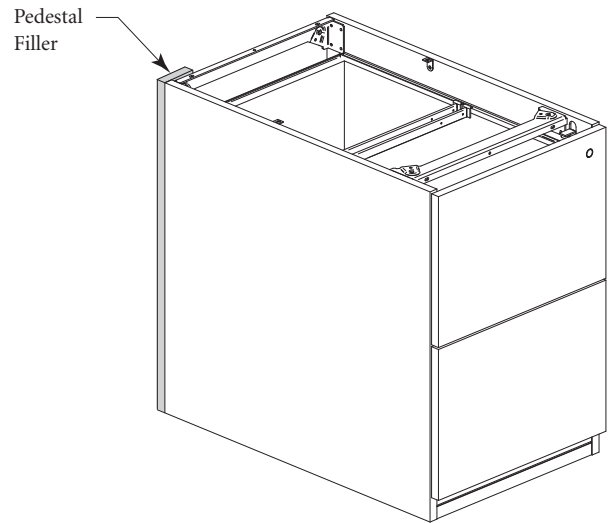


Figure B

