

Xsite®

Storage Tile Web Kit

Tools Required

- Tape Measure
- Scissors

Installation

1. If adding to an installed tile, remove tile by lifting up and tilting out at bottom. (Figure A).
2. Tie a knot in one end of elastic band. (Figure B).
3. Thread elastic band into lowest hole in outside edge of tile, into tile cavity and out opposite hole. Thread into next hole above and repeat until last hole. (Figure B).
4. Pull gently and tie a knot. (Figure B). Check tension. Do not overtighten. Trim excess.
5. Insert top of tile into upper Xsite Traxx® and lower into Xsite Traxx below. (Figure C). Carefully slide left or right to align.

Figure A

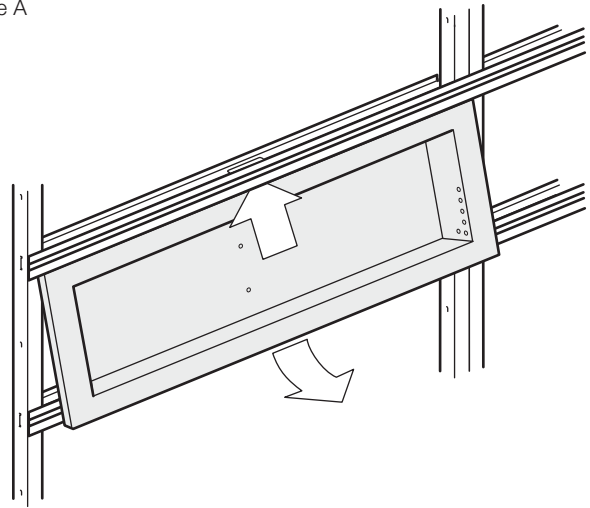


Figure B

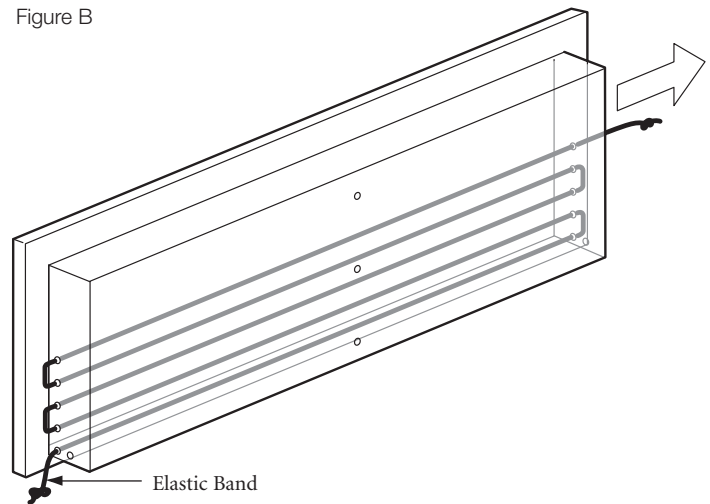
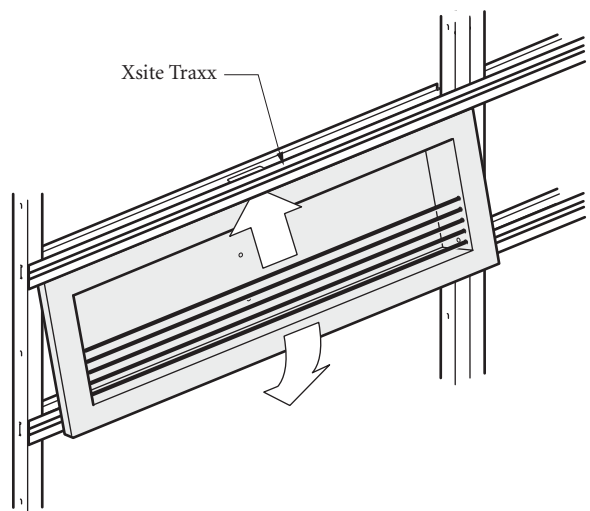


Figure C



Proper product installation, in accordance with these instructions, is the responsibility of the installing agent. If you have any questions concerning these instructions, please call Kimball Office Customer Service.

Kimball®Office