

Definition®

Modesty Panel

Tools Required

- #2 Phillips Head Bit
- Tape Measure
- Screw Gun
- Square

Hardware Required

- #8 x 5/8" Panhead
- #8 x 1" Flathead
- Bracket

Installation

1. Remove drawers from pedestals, then position pedestals upside-down on underside of worksurface.
Note: Make sure drawers are returned to their original location. To install, place worksurface on a clean soft surface, underside facing up.
2. Attach pedestals to the worksurface prior to installing modesty panel. Prior to attaching modesty panel to pedestal, locate panel 5/64" from the edge of the pedestal end panel. (Figure A).
3. To attach the modesty panel, using the #8 x 5/8" panhead screws, run screws through the pre-bored holes in the pedestal back rails into the modesty panel.
4. Fasten modesty in kneewell area to worksurface using screws provided. (Figure B).

Figure A

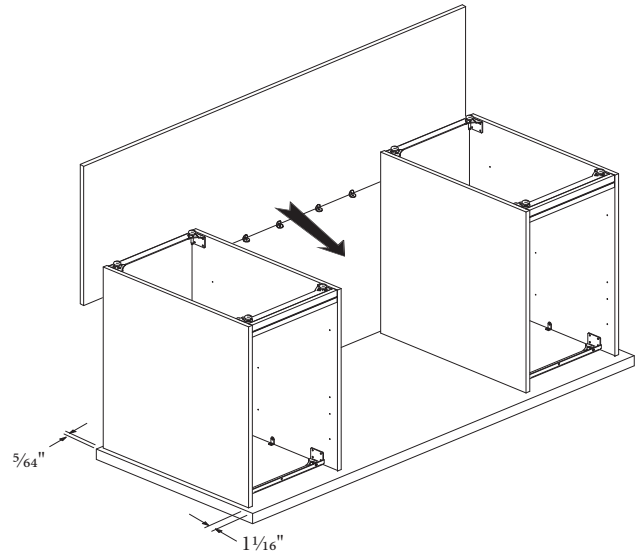


Figure B

