

Definition®

Wall Mounted Overhead Bracket

Tools Required

- Tape Measure
- Level (4 feet or greater)
- Metal Saw
- Variable Speed Drill with Torque Option
- Drill Bits
- Screw Bits

Package Contents

- Traxx (72" section)

Installation

Note: Kimball International defines a structural wall as a load-bearing wall constructed of materials such as: poured concrete, concrete block, or studs. Wood studs must be a nominal 2" x 4" size minimum. Metal studs must be "C" channel, 20-gauge thick minimum. Metal or wood studs must be on centers no greater than 24" and have maximum height of 14' restrained at floor and ceiling. Interior walls shall be designed to resist not less than a force of 5 lbs. per square foot applied perpendicular to wall. The deflection of such wall under a load of 5 lbs. per square foot shall not exceed $\frac{1}{240}$ of the span for walls with brittle finishes, and $\frac{1}{120}$ of the span for walls with flexible finishes (per Uniform Building Code Section 2309b). If you have any questions concerning your load-bearing structures, please consult your architect or structural engineer.

1. Mark the Traxx center line position on the wall $66\frac{7}{8}$ " from the floor for the length where the overhead is to be located. (Figure A). Check several positions along the line to ensure that the dimension is not less than $66\frac{7}{8}$ ".
2. The 72" Traxx bracket will have to be field-cut if a smaller single cabinet is to be used. The Traxx length should be equal to the width of the overhead cabinet(s).
3. Locate the wall substructure along the line drawn in Step 1. For proper attachment of Traxx to the wall, fasteners must tie directly into the substructure of the wall (studs, blocks, solid masonry).

4. Prepare wall for Traxx attachment by pre-drilling for and/or installing fasteners along the line drawn in Step 1 per the fastener manufacturer's guidelines. Recommended spacing of fasteners is 16", but should not exceed 24" on center. A single section of Traxx must attach to the wall with a minimum of two solid anchor attachment points. **DO NOT** extend the Traxx more than 6" beyond the last anchor attachment. (Figure B).

Note: It is the responsibility of the installer and/or the contractor to select and install the proper fasteners in the structural wall. Kimball International does not furnish fasteners or assume liability for their use.

Figure A

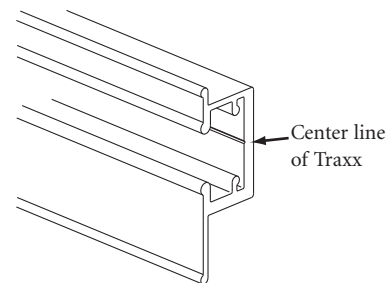
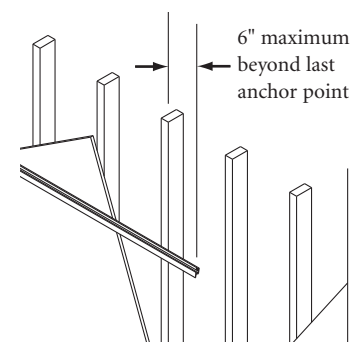


Figure B



Definition

Installation

- Position the Traxx against the wall just below the line drawn in Step 1. (Figure C). Transfer the fastener locations from the wall to the center line in the Traxx.
- Drill the appropriate diameter hole in the Traxx per the fastener manufacturer's guidelines.

Note: Hole sizes are dependent on the size of the fastener selected.

Recommended Fastener	Size	Model No.
Steel Stud (for 1/2" to 3/4" drywall): Hilti Toggler anchor toggle bolt	1/4"-20 x 2" Grade 5 or equivalent	374494
Wood Stud (for 1/4" to 1/2" drywall; meets or exceeds ANSI/ASME B18.6.4 and SAE J933): Panhead sheet metal screw		10-2 PHPMS
Solid Masonry: Crown Bolt lag shields Buildex Tapcon concrete anchor screw	1/4" x 1 1/2" 1/4" x 2 3/4"	
Masonry Block: Hilti Toggler anchor toggle bolt	1/4"-20 x 2" Grade 5 or equivalent	374494
Crown Bolt lag shields Buildex Tapcon concrete anchor screw	1/4" x 1 1/2" 1/4" x 2 3/4"	

- Before installing the Traxx, touch-up any exposed cut ends.
- Attach Traxx to wall aligning the center line of Traxx to line drawn in Step 1. Ensure that each fastener is securely attached to wall substructure.

Note: The optional overhead filler strip (ordered separately) is used to conceal the Traxx wall mount bracket. If the filler bracket is to be used, install the filler bracket prior to hanging the overhead cabinet.

- To install the overhead cabinet filler bracket, loosen the outer-most screw on the end of the Traxx wall mount bracket. Slide the drilled flange of the filler bracket behind the Traxx wall mount bracket. Align the top of the filler bracket flush with the top of the wall mount bracket. Re-tighten the screw in the wall mount bracket. Use a level to align the filler bracket vertically. Fasten the lower portion of the filler bracket to the wall with the provided screw. (Figure D).

Figure C

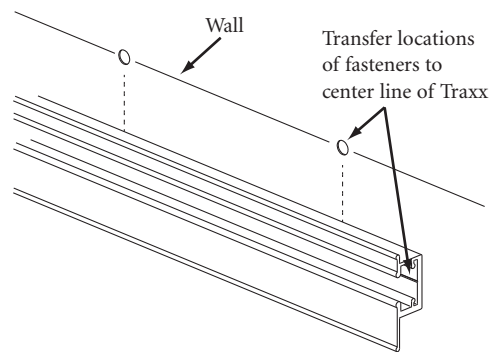


Figure D

