

Xsite™ System

Base Wireway Pass-Thru Jumper

Tools Required

- None

Installation

Note: Independent and shared neutral components cannot be mixed.

Pass-thru jumper can only plug into a base wireway harness or mid-height block.

1. With north arrow pointing up, plug jumper into outside receiver of the base wireway harness block. Push in until clips snap onto block. (Figure A).
2. Extend over verticals, through frame to next available base wireway harness block and repeat. (Figure B).

Figure A

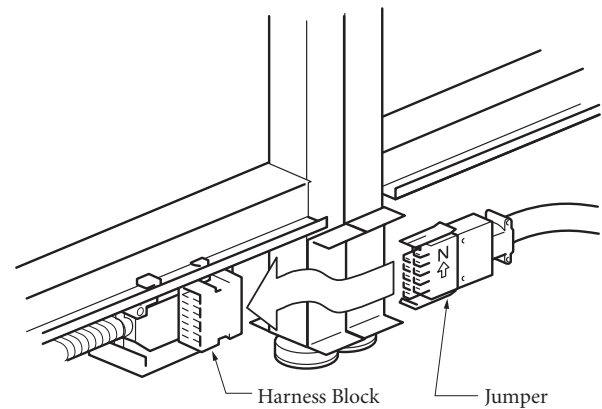


Figure B

