

Xsite™ System

New York City Floor/Wall Power Entry

Tools Required

- Cordless Drill/Driver
- 3/16" Allen Bit
- #2 and #3 Phillips Screwdriver

Installation

Note: Circuits must be wired with #12AWG wire utilizing #10AWG wire for common neutrals and fused at 15 amperes. No more than ten duplex receptacles per branch circuit, exact quantity dictated by power needs of equipment. Trade size 3/4" liquidtite conduit, fittings, and wire are not supplied. Reference labels on components for wiring diagrams. Liquidtite conduit must not exceed 18" in length and be hard wired at both ends. Power entry box is unassembled from the factory. Independent and shared neutral components cannot be mixed.

1. Raise junction box up and slide tabs on top into large slots in bottom channel. Install bolt and receiver through tabs and bottom channel. (Figure A). Fully tighten.
2. Once junction box is secured, cut jumper conduit to length and secure to junction box with anti-short bushing. Extend jumper end into the adjacent frame and plug jumper end into outside block of base wireway harness. Push in until clips snap onto block. If jumper is not used, plug hole on end of box. Plug not supplied. (Figure B).
3. At harness end, engage hooks on top of harness block into long slots in bottom channel. (Figure C). Swing end of harness up until spring clips snap into smaller slots in bottom channel. Cut harness conduit to length and secure to junction box with anti-short bushing.

Note: Do not connect conduit to building supply until conduit is inserted through hole in wireway cover.

Figure A

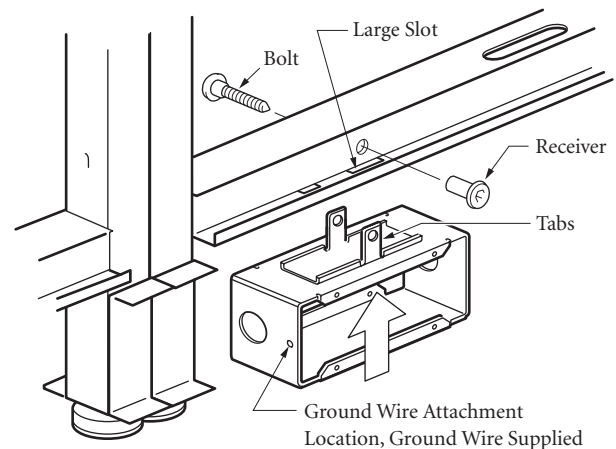


Figure B

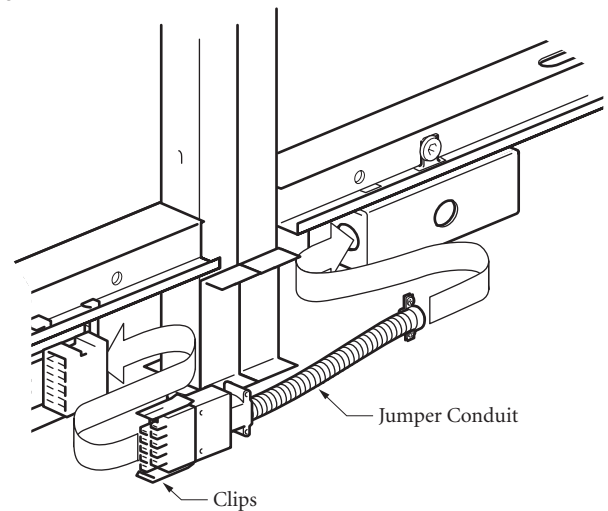
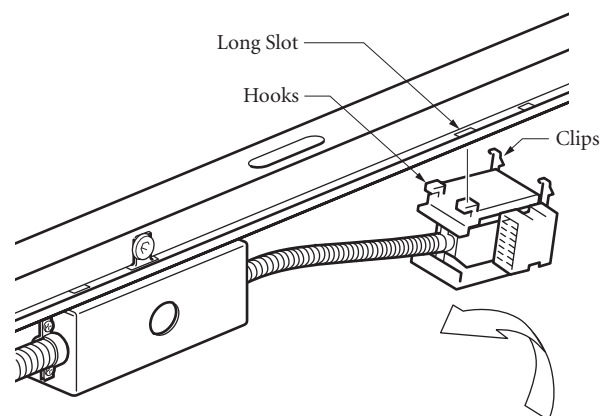


Figure C



Xsite™ System

New York City Floor/Wall Power Entry, cont.

4. Install $\frac{3}{4}$ " trade size liquidtite fitting in back of box. Install liquidtite conduit and color coded #12AWG wires and connect in approved method. (Figure D).
5. Install cover plate on the front of the box using four #8-32 x $\frac{1}{4}$ " screws provided. (Figure E).
6. Slide open receptacle cover on base wireway cover that lines up with power entry and feed conduit through from inside of cover. (Figure F).
7. Install base wireway cover by engaging bottom flange of cover under wireway bracket at both verticals. Swing cover up and press top flange over top of brackets at both verticals. (Figure F).

Warning: Connection to building power must be completed by a licensed electrician. Installation must be in accordance with National Electrical Code and local codes. This system may be connected to more than one source of supply. No single circuit may be powered by more than one source. Do not interconnect system electrical power from different feed units. This can cause shock and fire hazard. Be certain all sources are disconnected prior to any servicing.

Figure D

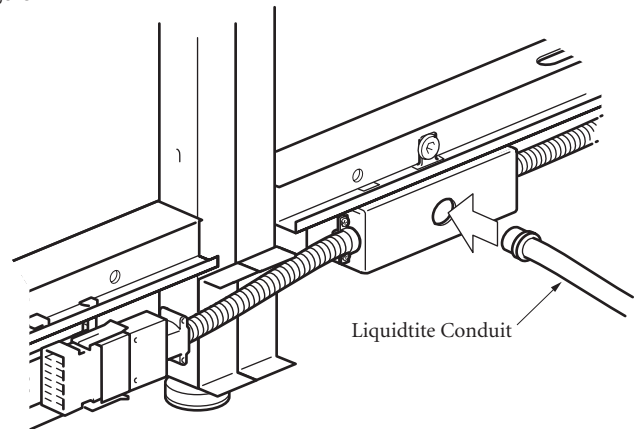


Figure E

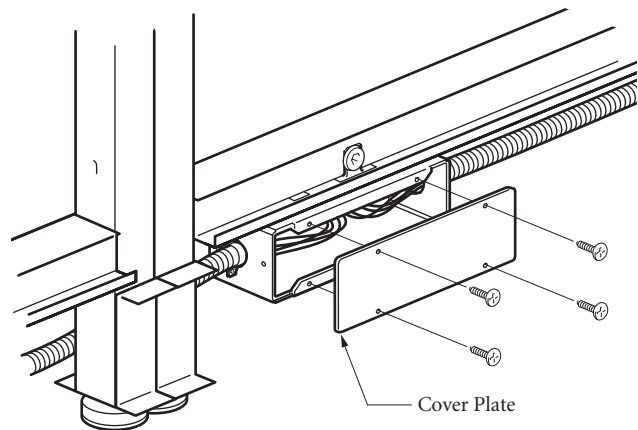
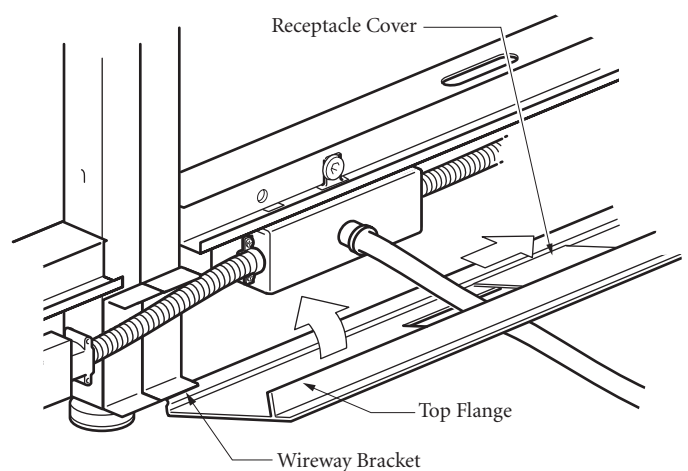


Figure F



Proper product installation, in accordance with these instructions, is the responsibility of the installing agent. If you have any questions concerning these instructions, please call Kimball Office Customer Service.

Kimball Office