

Universal

Visual Board Installation

Tools Required

- Tape Measure
- Level
- Power Drill

Package Contents

- Wall Unit
- 2 Plastic Knobs
- 2 Washers
- 2 "L" Brackets
- 2 Bolts
- Fastening Screws
- 2 Mounting Brackets

Installation

1. After choosing the desired wall location, place the aluminum wall bracket against the wall with the bottom edge of the bracket 2 inches lower than the top of the visual boards intended position. (Figure A).

Note: At this point it is critical to make sure that the bracket is level.

2. Scribe a line across the wall at the bottom edge of the top bracket. (Figure A).
3. Attach the top bracket to wall and mount the bottom rail in the same manner keeping a distance of 44 inches between bracket.

Note: You must make solid contact with at least three studs in wall.

4. The visual board has 2 fastening points at the top back side, these will slip over and down the top edge of the bracket.
5. Prepare to hang unit by holding the bottom out from wall approximately 2 feet and slip onto top bracket.
6. Tilt bottom in until it rests against the bottom bracket.
7. Secure visual board by inserting bolts through square holes and 2 small "L" brackets that will slip under bottom lip of bottom bracket. (Figure B).
8. Install washers & plastic knobs and adjust bottom corners if necessary so board will hang plumb and prevent doors from "racking". (Figure C).

Figure A

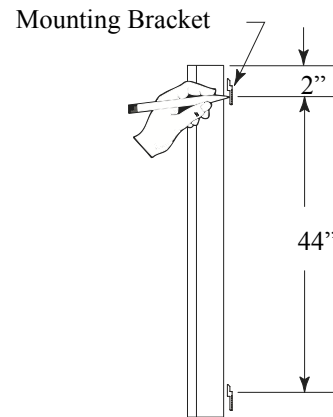


Figure B

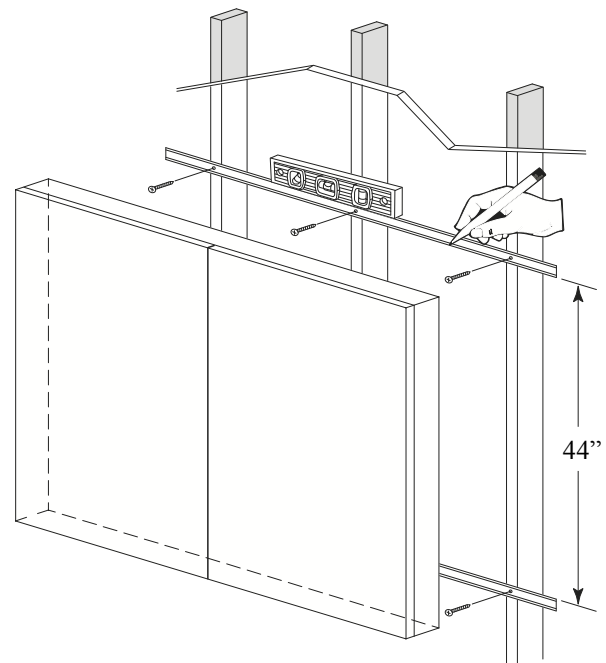


Figure C

