

Array®

Ganging Strap Attachment

Tools Required

- Carpenter's Level

Package Contents

- 2 Gang Strap Assemblies

Installation

1. Place tables end to end. (Figure A).
2. Level tables by adjusting glides. Level table front-to-back and side-to-side. (Figure B).
3. Attach ganging strap to inserts in table. Do not over-tighten. (Figure C).

Note: Use 1 or 2 straps as needed depending on leg placement.

Figure A

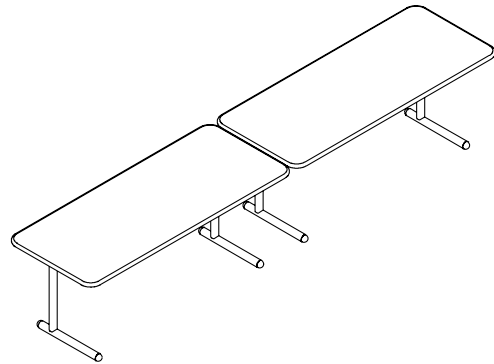


Figure B

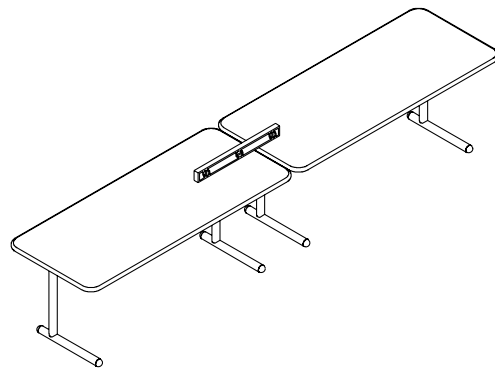


Figure C

