

Array[®]

Bent Column Leg Attachment

Tools Required

- Power Screwdriver

Package Contents

- 16 #12 x 1" Panhead Wood Screws
- 4 Bent Column Legs

Installation

1. Turn table upside down and place on solid surface. (Figure A).
2. Place base on table, aligning holes at diagonal corners of plate with matching holes in table. Be sure bend of leg is outward. (Figure B).
3. Install screws through base into top. Utilize all holes. Be careful not to over tighten. (Figure C).
4. Repeat Steps 2 and 3 to attach other column legs to table.
5. Carefully turn unit upright. (Figure D).

Figure A

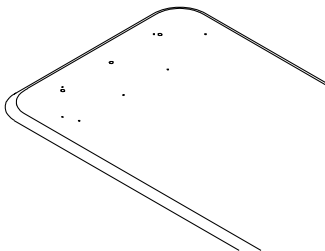


Figure B

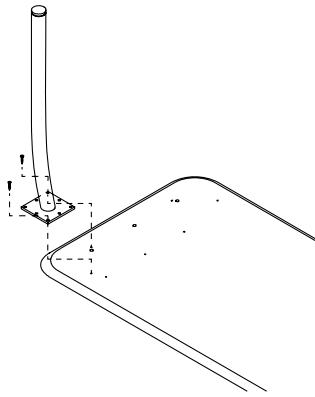


Figure C

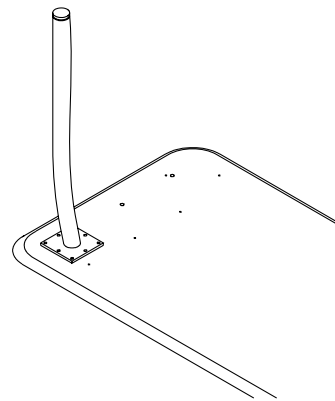


Figure D

