

## Foot Attachment

### Tools Required

- Power Screwdriver
- Phillips Head Bit

### Package Contents

- Lounge
- Foot
- Table
- #14 x 1½" Wood Screws

### Installation

**Caution:** Take care not to mar wood surfaces of lounges and tables. Protective coverings are recommended for floor or work area during assembly. All units should be assembled at, or very near, their desired final location. For best results two or more people are needed to assemble and move units.

1. To attach a foot, place table on side or top, lay lounge on its back. (Figure A).
2. Locate pilot holes on underside of table or lounge and attach feet at desired locations using four (4) #14 x 1½" wood screws provided. Foot should be ¼" from each edge. (Figure B).

**Note:** There are only two pilot holes at each foot location. This applies to Tables only.

3. Carefully turn unit upright. (Figure C).

Figure A

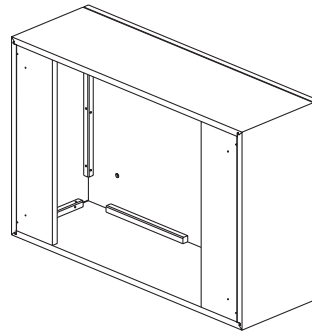


Figure B

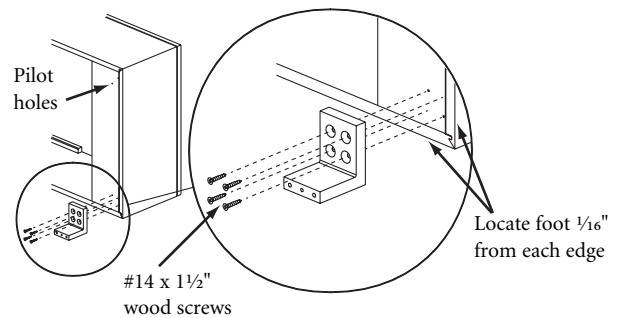


Figure C

