

Arm, Wall Bolt, and Tablet Attachment

Tools Required

- Power Screwdriver
- Phillips Head Bit
- Two 3/16" Allen Wrenches

Package Contents

- Arm
- Flat Brackets
- 100mm Bolt
- #14 x 1" Wood Screws
- Decorative Washer
- Tablet Arm w/mechanism
- Tablet Panel
- #10 x 5/8" Wood Screws

Installation

Caution: Take care not to mar wood surfaces of lounges and tables. Protective coverings are recommended for floor or work area during assembly. All units should be assembled at, or very near, their desired final location. For best results two or more people are needed to assemble and move units.

Arm Attachment:

- To attach an arm to a lounge, use two 3/16" Allen wrenches to remove the 80mm bolt from the end of the lounge wall. Remove the decorative washer and end connector from the front side. Leave the decorative washer on the back side in place. Retain the 80mm bolt, washer and connector for possible future re-use. (Figure A).
- Hold lounge arm in place on desired side of lounge. Insert 100mm bolt through back of wall and thread it into the T-nut pre-installed on the back of the arm. **DO NOT** fully tighten the 100mm bolt at this time. (Figure B).
- Lay lounge on its back to attach two flat brackets to arm using the #14 x 1" wood screws provided. Line up the flat brackets with the pilot holes on the bottom of the arm. (Figure C).

Figure A

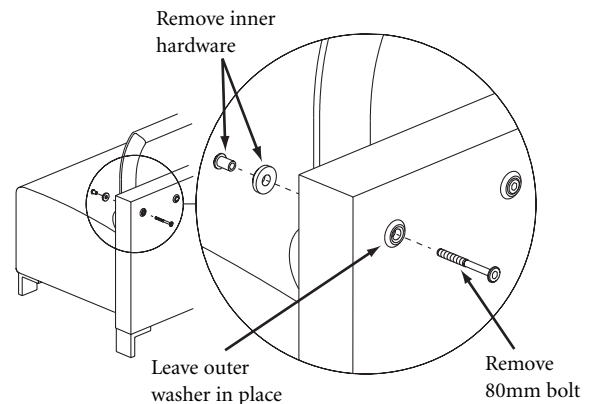


Figure B

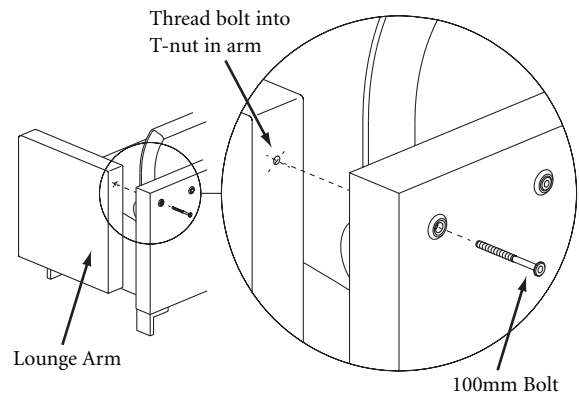
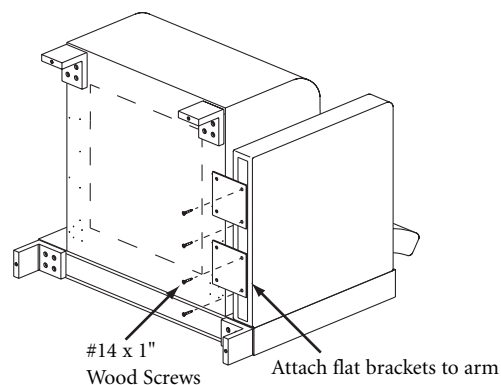


Figure C



Delano

Installation (continued)

- Fit arm snugly against side of lounge. Align arm so there is a 1" reveal between the outside edge of the arm and the outside edge of the lounge wall, or align arm so the outside edge of the arm is lined up with the inner edge of the foot on the bottom of the wall. If necessary, use a bar clamp to pull the arm into the correct position. Clamp to opposite end of lounge, or cut a small slit in black bottom material and clamp to inside edge of seat box. Line up the flat brackets with the pilot holes on the bottom of the lounge. When arm is aligned, attach the flat brackets to the underside of the lounge using the #14 x 1" wood screws provided. (Figure D).
- Carefully turn lounge upright and firmly tighten the 100mm bolt. (Figure E).

Arm Removal:

- To remove an arm from a lounge, remove upper 100mm bolt from rear of lounge. Retain the decorative washer. (Figure F).

Figure D

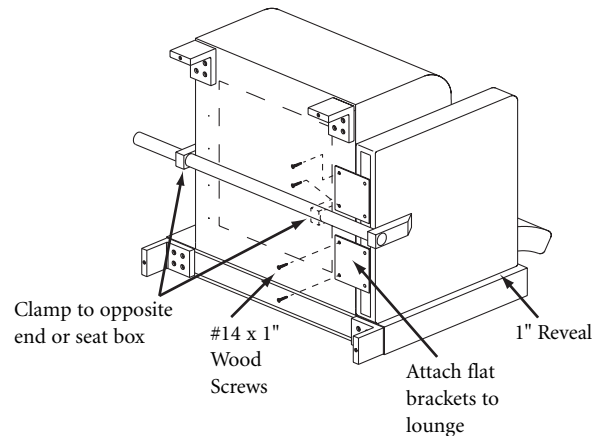


Figure E

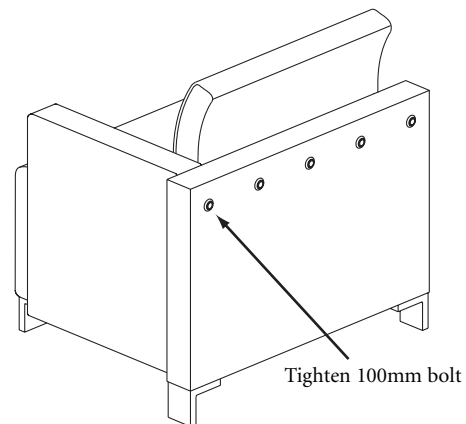
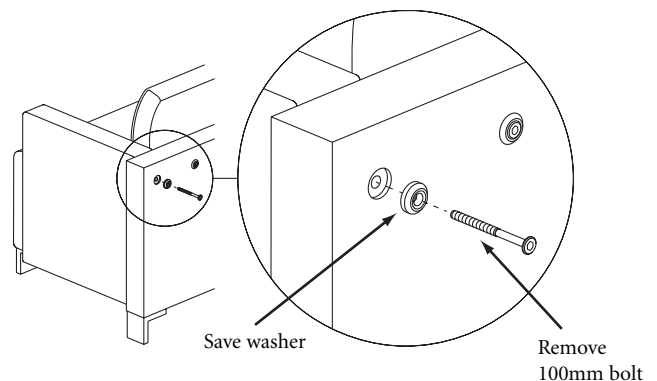


Figure F



Delano

Installation (continued)

- Lay unit on its back. Remove the #14 x 1" wood screws, the flat brackets and the arm. (Figure G).
- Carefully turn unit upright. Insert 80mm bolt through decorative washer and back of wall. Attach decorative washer and end connector to bolt on front of wall. Use two $\frac{3}{16}$ " Allen wrenches to firmly tighten 80mm bolt. (Figure H).

Tablet Attachment:

- To assemble tablet, use a $\frac{3}{16}$ " Allen wrench to loosen the set screw located in the collar of the tablet arm mechanism. (Figure I).

Figure G

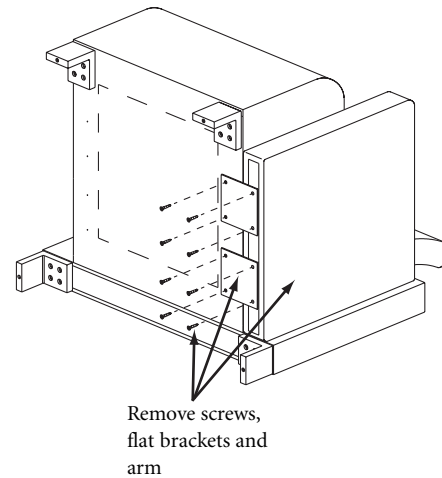


Figure H

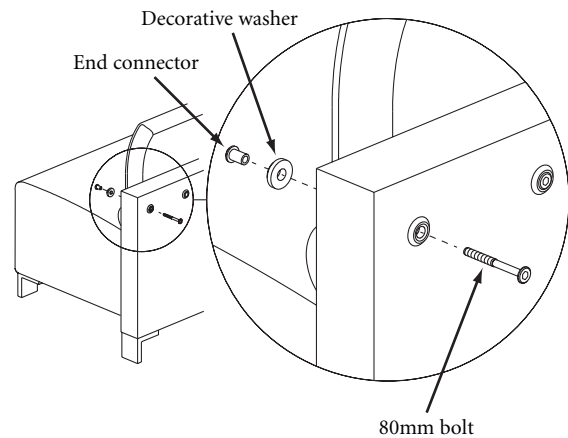
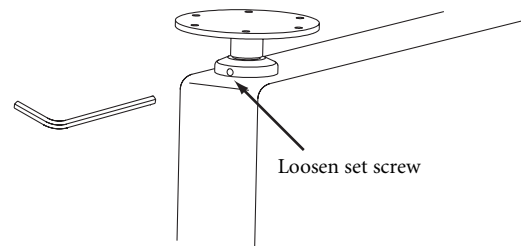


Figure I



Delano

Installation (continued)

- When set screw is loose, remove the black mounting plate from the collar by pulling upward. (Figure J).
- Turn tablet panel upside down. Align the holes in the mounting plate with the pilot holes in the bottom of the panel for proper positioning. Attach the mounting plate to the tablet panel using the #10 x 5/8" wood screws provided. (Figure K).
- Turn tablet right side up and insert stem of mounting plate back into collar of tablet arm mechanism. Re-tighten set screw to secure mounting plate. (Figure L).

Caution: If set screw is too tight, tablet will not rotate. Carefully adjust set screw to allow for proper adjustability of tablet panel. (Figure L).

Figure J

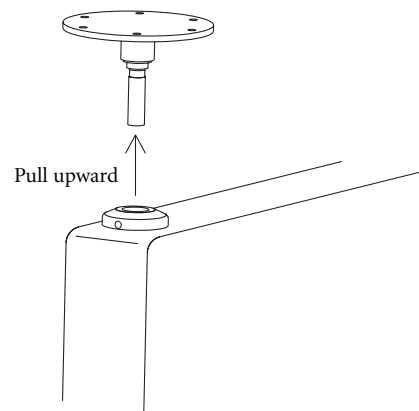


Figure K

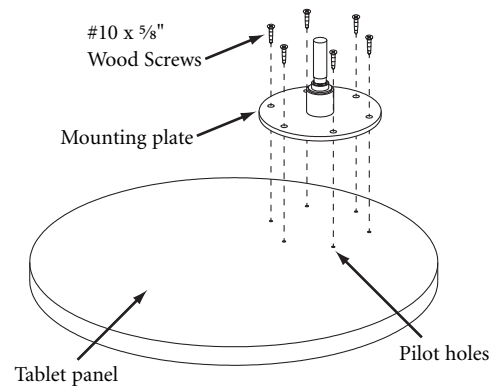


Figure L

