

Scenario™

Equipment Lock

Tools Required

- None

Installation

1. The equipment lock has two lock cylinders attached to a 3 foot ¼" diameter stainless steel cable. The key and cores are standard Kimball components and can be removed with the Kimball change key and re-keyed to suit user needs. (Figure A).
2. The lock has a T-shaped tennon which indexes into a slot located on the worksurface support bar on the underside of the table. Turn the key 90° to secure the lock to the furniture. Most laptops, flat-screens, and CPU towers have a Kensington slot located in the equipment. Insert the 2nd lock tennon into the Kensington slot and rotate the key 90° to secure. (Figure B).
3. The Kensington slot is also located in the back side of flat screen monitors and CPU towers. (Figure C).

Figure A

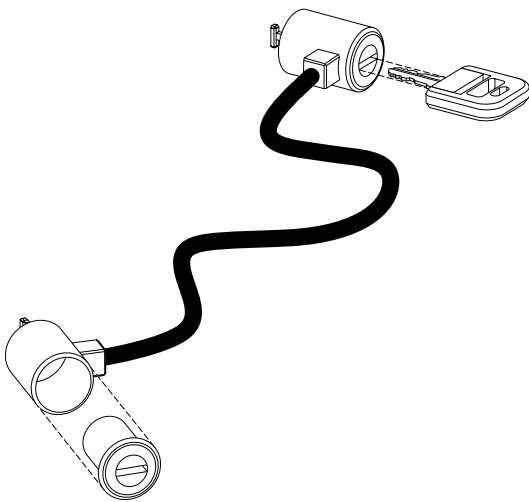


Figure B

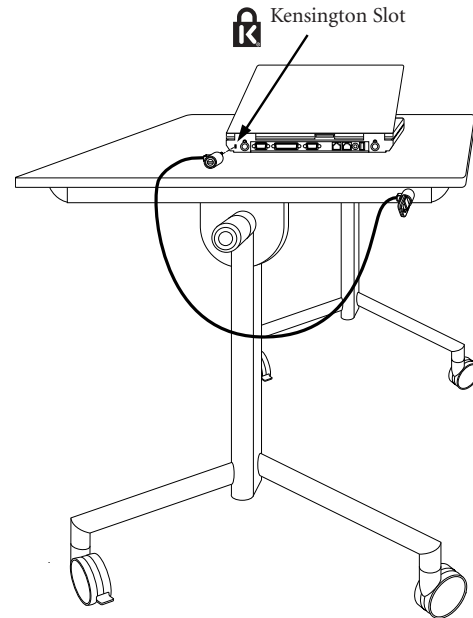


Figure C

