

# Scenario™

## Modesty Panel

### Tools Required

- Rubber Mallet

### Installation

1. The modesty panel consists of (2) black plastic bushings and a modesty panel assembly. (Figure A).
2. Using the rubber mallet, insert the two black plastic bushings into the two holes in the table frame assembly. (Figure B).
3. Position the modesty panel so the screwheads are facing away from crossbar. Insert one end of the modesty panel into one of the black plastic bushings. To insert the second end of the modesty, pull the center of the modesty panel slightly forward as you index the modesty panel into the second plastic bushing. (Figure C).
4. Once modesty panel is installed you may need to slightly flex the middle of the modesty panel toward the crossbar to remove any bend that may have appeared during installation.
5. Remove protective covering from modesty panel.

Figure A

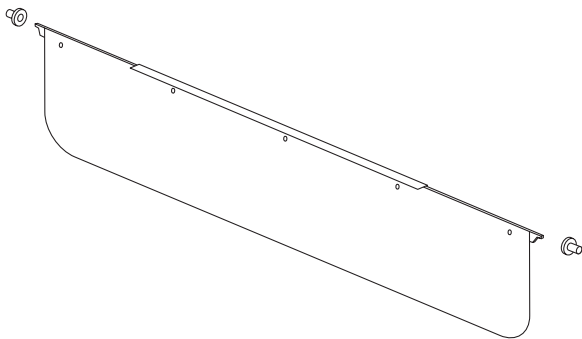


Figure B

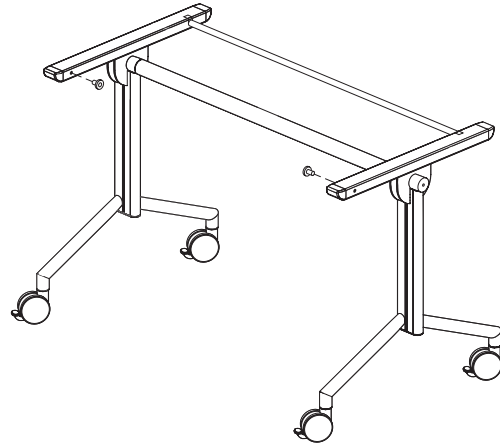


Figure C

