

Scenario™

Multi-Circuit 8-Wire 4 Circuit Electrical

Tools Required

- None

Installation

Stop: The installation of the multi-circuit electrical must be performed by a licensed electrician! Proper product installation in accordance with these instructions is the responsibility of the installing agent. Installation must be in accordance with the National Electrical Code and local codes.

1. There are two ways to bring power into the system. The 15' power in-feed is wired by an electrician to a wall or floor mounted building supply. (Figure A).
2. The modular wall starter is a second way to bring power into the system. The modular wall starter is wired by an electrician to a wall or floor mounted building supply. Then, the 15' modular power in-feed cable can snap-fit to the modular wall starter to bring power to the table. (Figure B).
3. The eight-wire electrical system provides up to four circuits using four hot wires, two increased size neutrals, a system ground and an isolated ground for the fourth circuit. Ideally, a four-wire, WYE, 208 volt service provides the best utilization. Circuits 1, 2, and 3 can be wired for general use. Circuit 4 which has its own increased size neutral and an isolated ground, can be reserved for data and communications requirements. (Figure C).

Warning: Do not attempt to use Cetra, Xsite, or Interworks electrical jumpers, receptacles, or distribution components on Scenario tables. Scenario electrical components are molded from different material in order to meet the UL 183 listing.

Figure A



Figure B

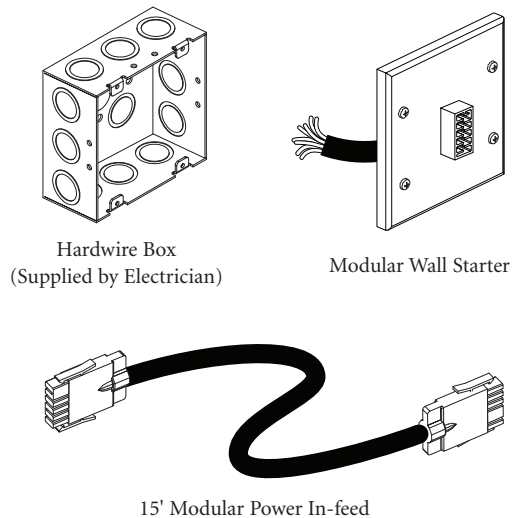
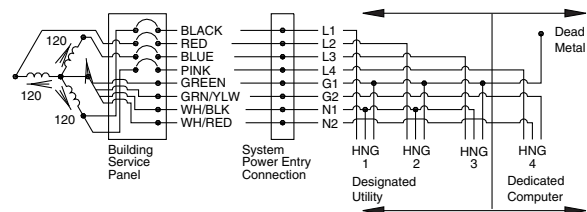


Figure C

120/208V WYE 3 Phase 4 Wire
4 Circuit, 20 AMP, Isolated Ground



Scenario

Installation (continued)

4. Prior to assembly of the table frame the electrical duplex receptacles must be attached to the single-sided distribution. The single-sided distribution length must be a corresponding length as the undersurface cable manager. (Figure D).
5. Slide the single-sided distribution and receptacles into the undersurface cable manager with the North ↑ pointing upward. (Figure E).
6. Assemble the table base. Tables with multi-circuit electrical must have ganging kit installed (see Scenerio Gang Kit instruction sheet 2040755). (Figure F).
7. A jumper cable is required to link the multi-circuit electrical from table to table. (Figure G).

Figure D

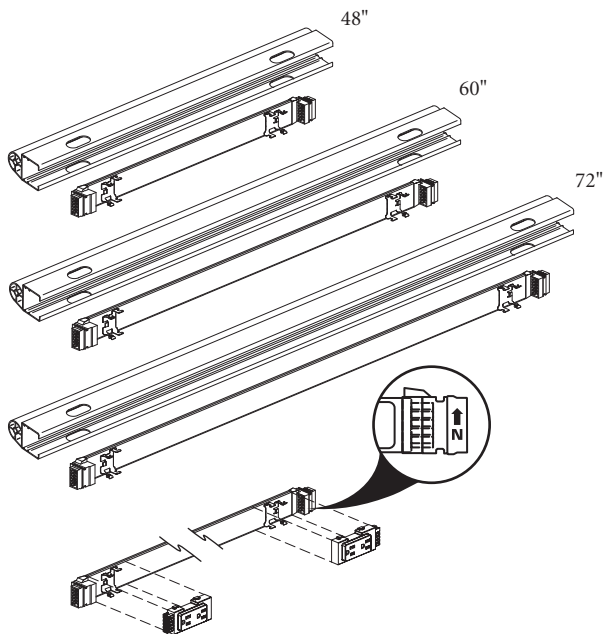


Figure E

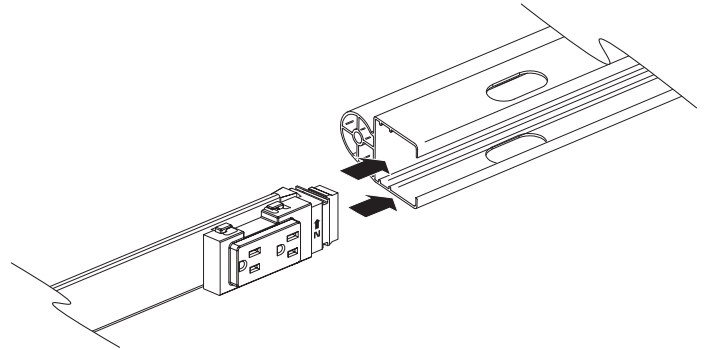


Figure F

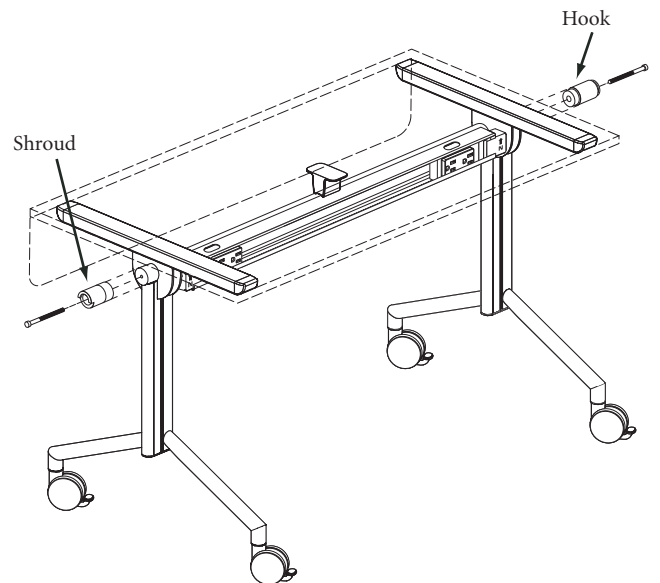
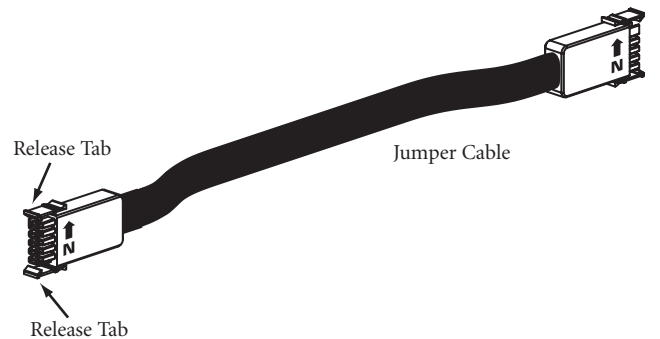


Figure G



Scenario

Installation (continued)

8. Make sure the North \hat{u} is facing upward. Make sure the power is off. Connect one table to the other, attaching the jumper cable to the power distribution assembly. To dis-connect the jumpers, squeeze the release tabs on the jumper (through the access holes in the undersurface cable channel) and pull apart. (Figure H).
9. Demonstrates a typical table assembly. (Figure I).

Figure H

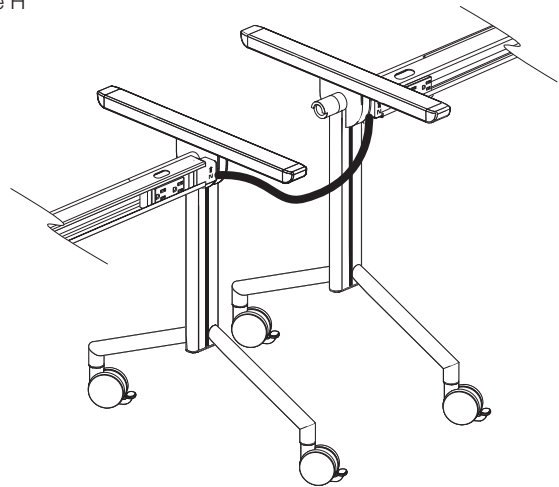
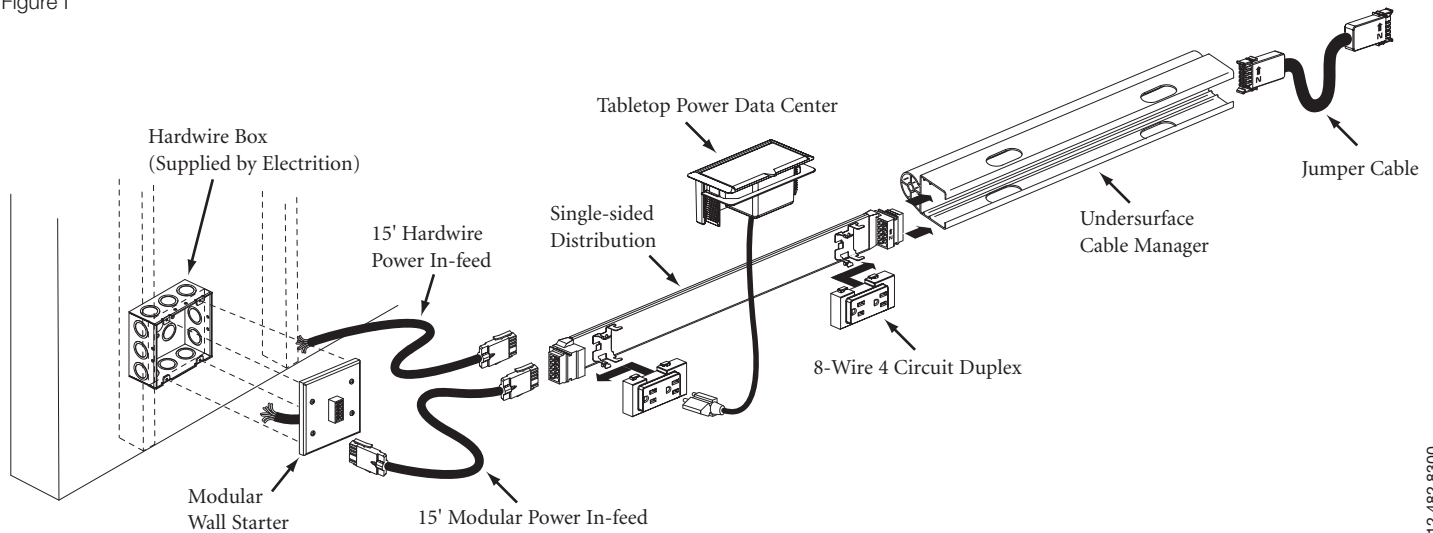


Figure I



Important Warning Information

<div style="border: 2px solid black; padding: 5px; text-align: center;"> ADVERTENCIA! </div> <p style="text-align: center; font-weight: bold;">RIESGO DE CHOQUE ELECTRICO!</p> <p style="font-size: small; text-align: center;"> NUNCA USE MAS DE UNA ALIMENTACION ELECTRICA (PARTE A). ASEGURESE DE QUE BAJO LAS SUPERFICIES DE TRABAJO SOLAMENTE UNA ALIMENTACION ELECTRICA (PARTE A) ESTA EN SECUENCIA. NO SE CONECTE A LA TOMA DE CORRIENTE SI MAS DE UNA (PARTE A) EXISTE. </p>	<div style="border: 2px solid black; padding: 5px; text-align: center;"> WARNING! </div> <p style="text-align: center; font-weight: bold;">RISK OF ELECTRICAL SHOCK!</p> <p style="font-size: small; text-align: center;"> NEVER USE MORE THAN ONE "POWER IN-FEED" (PART A). CHECK UNDER WORKSURFACES TO ENSURE ONLY A SINGLE "POWER IN-FEED" (PART A) IS IN THE SEQUENCE. DO NOT PLUG INTO OUTLET IF MORE THAN ONE (PART A) EXISTS. </p>
2128243 - 321450	

Printed in U.S.A. © 2011 Kimball International, Inc. T 800.482.1818 F 812.482.8300

Proper product installation, in accordance with these instructions, is the responsibility of the installing agent. If you have any questions concerning these instructions, please call Kimball Office Customer Service.

KimballOffice