

# Privacy Screen

## Tools Required

- 4mm Allen Wrench
- 5mm Allen Wrench

## Package Contents

- 1 Privacy Screen
- 2 Cylindrical Extensions
- 2 Set Screws
- 2 Rectangular Nuts
- 2 Flat Head Bolts
- 2 Clamping Bolts

## Installation

1. Install the set screw into the cylindrical extension and tighten using 4mm allen wrench (Figure A).
2. Thread the rectangular nut onto the set-screw. DO NOT TIGHTEN. (Figure B).
3. Insert the rectangular-nut into the rectangular cut-out and slide toward the outer end of the privacy panel. Repeat action so each end of privacy panel has cylindrical extrusion. Secure each cylindrical-extension to the frame by hand-tightening the cylinders. (Figure C).

Figure A

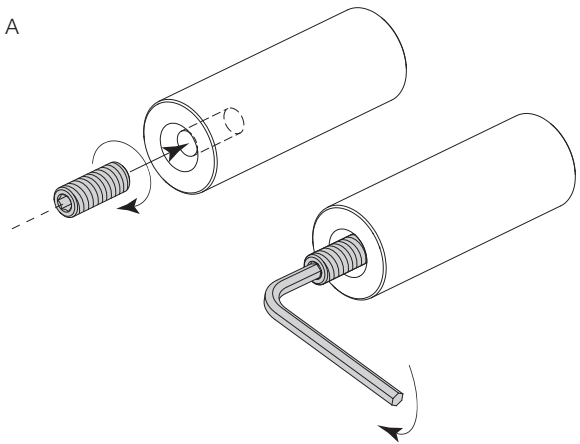


Figure B

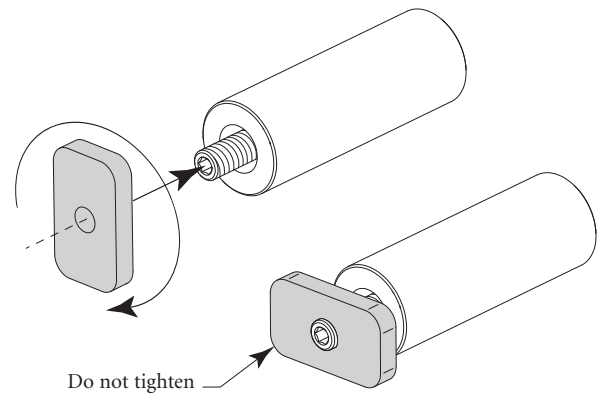
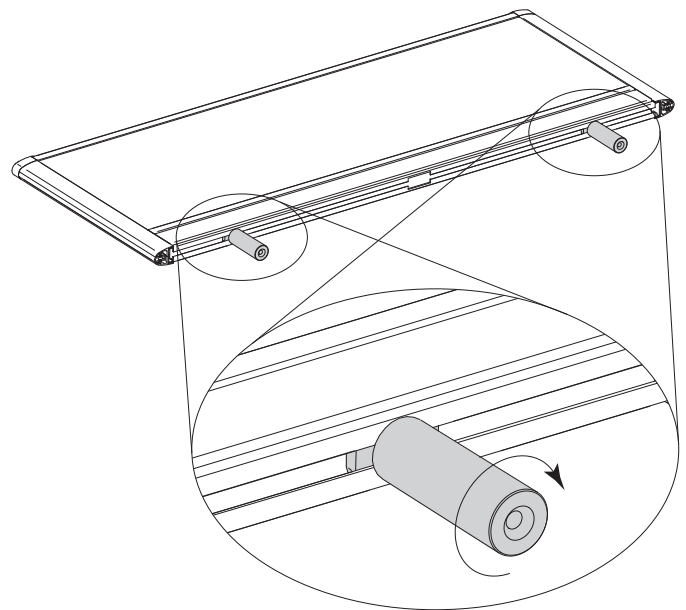
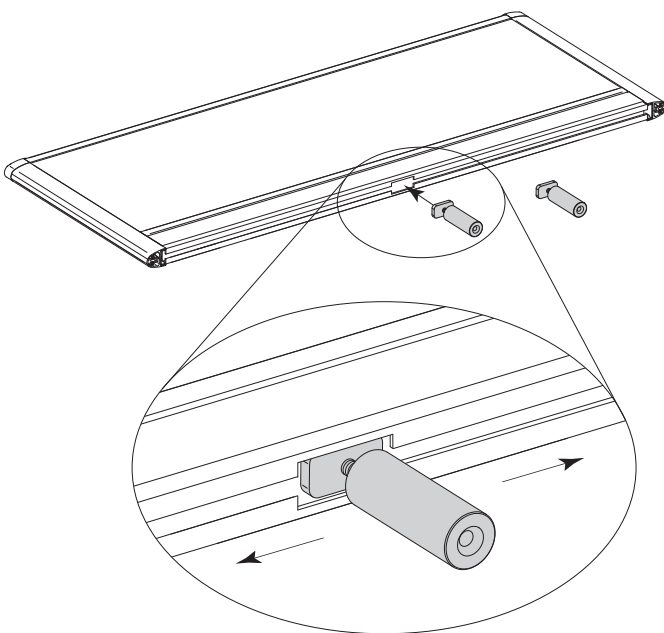


Figure C



Proper product installation, in accordance with these instructions, is the responsibility of the installing agent. If you have any questions concerning these instructions, please call Kimball Office Customer Service.

Kimball Office

# Scenario™

## Installation (continued)

4. Insert the flat-head screw into the metal U-Bracket and attach into counter sunk hole using 5mm allen wrench. (Figure D).
5. Push the clamping bolt into the metal U-Bracket and thread into lower hole. (Figure E).
6. Make sure the C-Clamps align beyond the modesty panel and undersurface support. Tighten clamping bolt using 4mm allen wrench. (Figure F).

Figure D

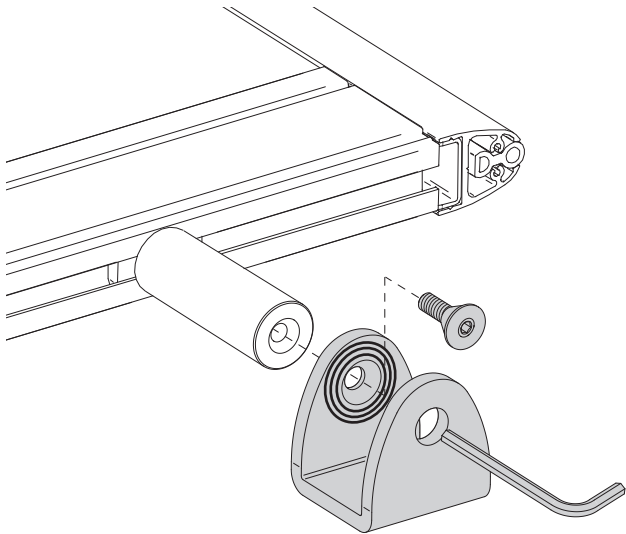


Figure E

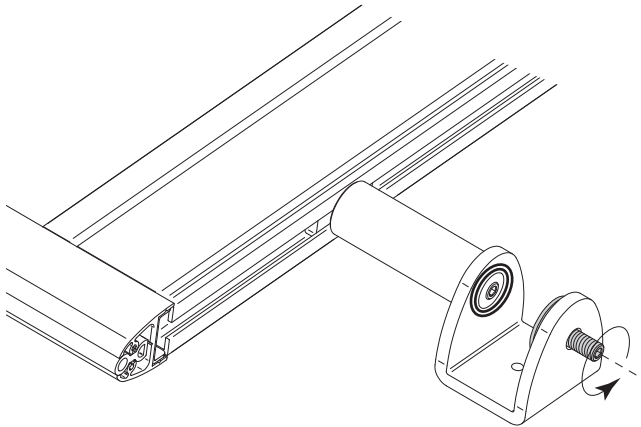
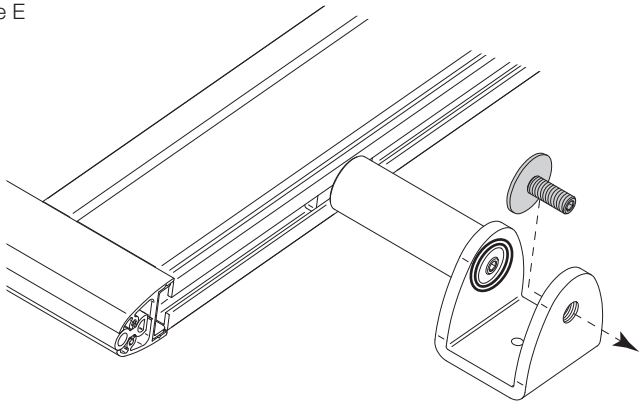


Figure F



Printed in U.S.A. © 2009 Kimball International, Inc. T 800.482.1818 F 812.482.8300

Proper product installation, in accordance with these instructions, is the responsibility of the installing agent. If you have any questions concerning these instructions, please call Kimball Office Customer Service.

Kimball Office