

# Pose

## Gangng Brackets

### Tools Required

- None

### Package Contents

- 1 pair of brackets (Figure A)
- 2 thumb screws (Figure A)

### Description

Gangng brackets can be used to secure adjoining Pose models to each other.

### Installation

1. Place units in the desired configuration. Use the adjustable glide in each leg to level the units before installing the gangng brackets. (Figure B)
2. Insert screw into metal bracket. (Figure A)
3. Place one bracket over the adjoining side rails approximately 5" inward from each leg. Hand tighten thumb screw by turning clockwise until resistance is met. (Figure C)
  - Caution:** Do not overtighten.
4. It is recommended that you use two brackets to gang two units. (Figure D) Repeat steps 1 through 4 for all other gangng brackets in the configuration.

### Removal:

1. Reach under the unit and grasp the head of the thumb screw. Turn counter clockwise to loosen the screw and remove the bracket. Repeat for all brackets to be removed.

Figure A

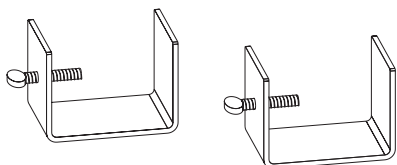


Figure B

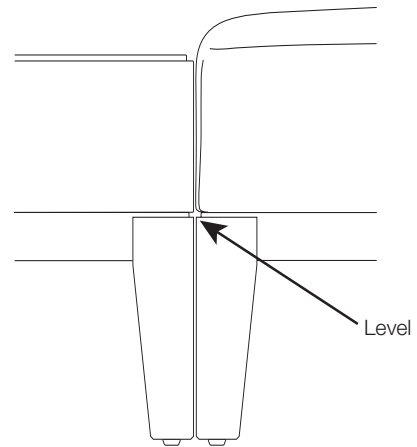


Figure C

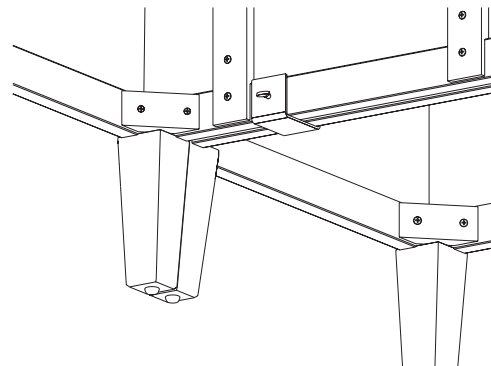


Figure D

