

# Jumper Cable

## Tools Required

- None

## Description

Jumper cables are used to pass power from panel to panel at the base or mid-wireway, and from base to mid-wireway within a single panel (Figure C—Model Number Reference).

*Note: Installation must be in accordance with the National Electrical Code and local codes. Electrically interconnected panels need to be mechanically connected.*

## Installation

1. Position the jumper cable correctly according to the arrow on the cable (Figures A & B).

2. Slide the jumper cable into the end of the power distribution assembly (AED) until fully engaged (Figures A & B).

*Note: When fully engaged, the nub(s) on the jumper cable should be grasped by the metal clip(s) on the power distribution assembly.*

Figure A  
8-Wire Jumper Cable

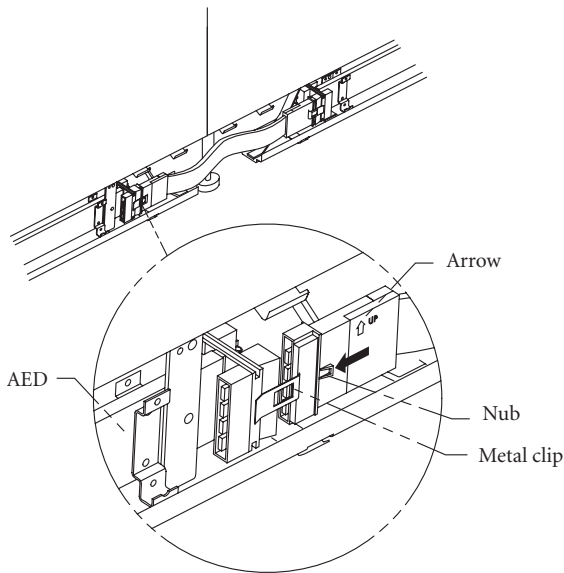


Figure B  
10-Wire Jumper Cable

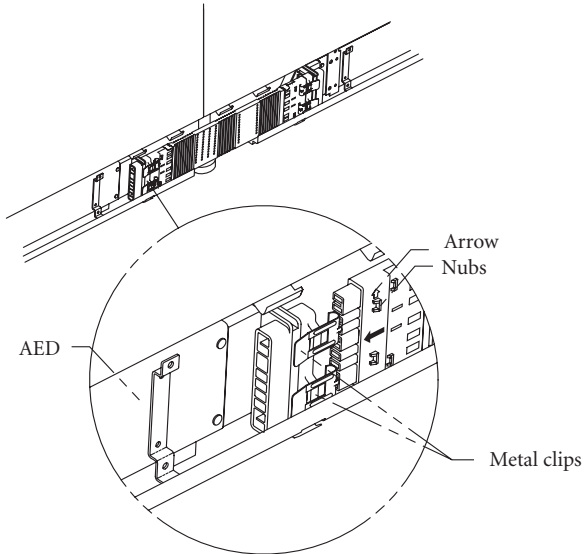
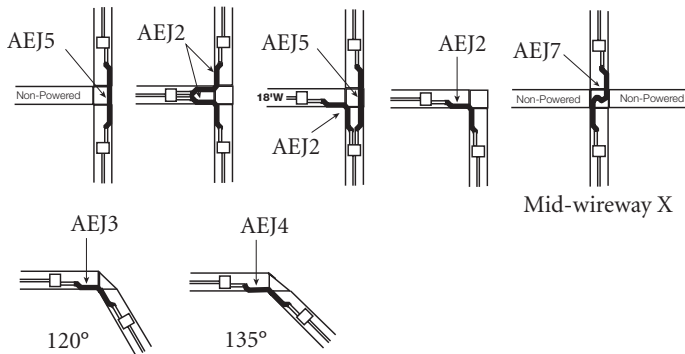


Figure C—Model Number Reference



Model	Application
AEJ1	Panel-to-panel
AEJ2	90° corner
AEJ3	120° corner
AEJ4	135° corner
AEJ5	Panel-to-post-to-panel
AEJ7	Mid-wireway X connector
AET2	Base-to-mid wireway
AET3	Through curved panel

Proper product installation, in accordance with these instructions, is the responsibility of the installing agent. If you have any questions concerning these instructions, please call Kimball Office Customer Service.

Kimball Office