

OVERHEAD STORAGE and FULL HEIGHT SHELF— To Cetra® Panel

General Information

- These instructions provide the basic information to install Interworks® Full Height Shelf and Overhead Storage Recessed Door units onto Cetra® panels.
- The installation process is the same for Overhead Storage and Full Height Shelf. Overhead Storage is illustrated.
- Half Height Shelf is not designed for use with Cetra panel.
- For larger units, two persons are recommended to perform installation.

Tools Required

- Tape measure
- Drill with #2 Phillips bit

Products Required

- Cetra Adapter Brackets, 1 set (Figure A).

To Cetra Panel

- Units hang onto the Cetra panel vertical hooks. These overhead hooks slip into slots in the Cetra Adapter Brackets and are secured to each bracket by a lock clip.
1. Determine vertical position at which unit will be located.
TIP: To make top of overhead flush with top of panel, hang unit in uppermost side rail slot.
 2. Insert left and right Cetra Adapter Brackets into panel at desired height (Figure A).
 3. Lift unit into position and tilt top of unit away from you. Slide the hooks on the back of the unit into the corresponding opening of the installed brackets (Figure B).
Allow to rest at vertical position.
 4. Locate lock clip installed in upper rear corner of unit. Remove and reposition so unnotched flange aligns with second hook in rear bracket (Figure C).
 5. When installing two units side-by-side, install left and right Cetra Adapter Brackets so that they fit together. No additional ganging bracket is required (Figure D).

Figure A

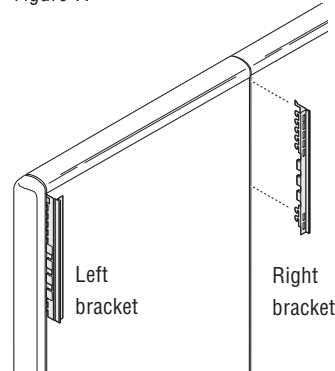


Figure B

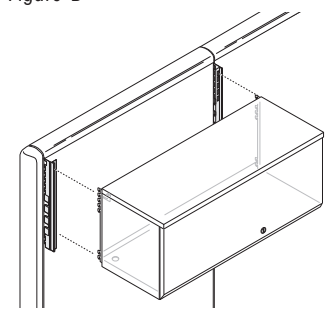


Figure C

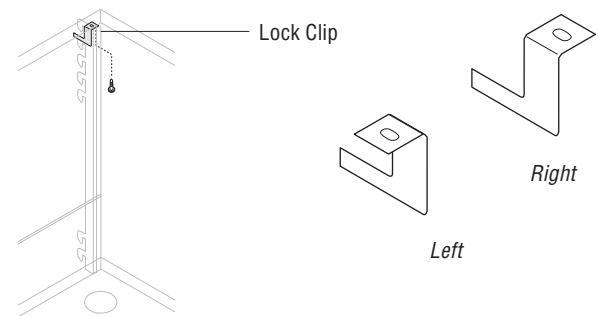
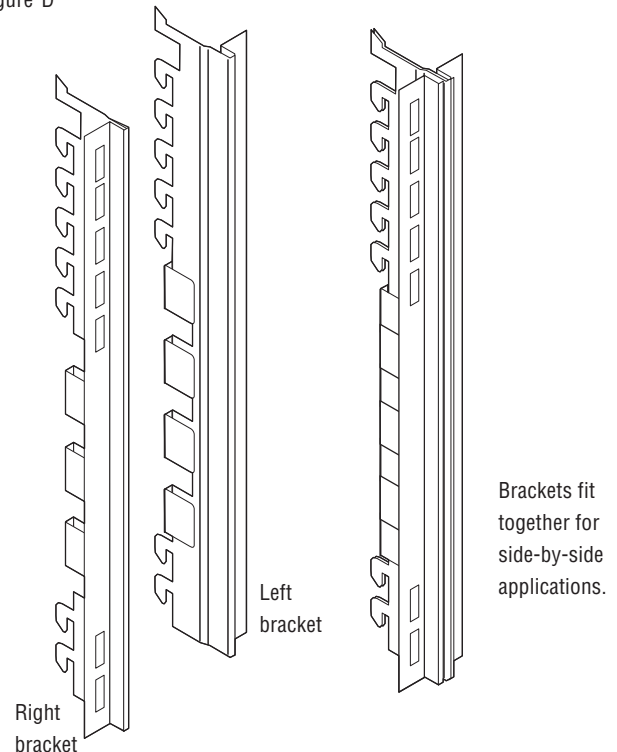


Figure D



Proper product installation, in accordance with these instructions, is the responsibility of the installing agent. If you have any questions concerning these instructions, please call your Customer Care Team.

Striker Blade Installation

- Striker Blade ships with Overhead Storage and is part of the receding door lock mechanism (Figure E).
1. Insert the end of the blade into the square hole located adjacent to the lock mechanism on the underside of the door (Figure F).
 2. The blade should be parallel to the bottom of the door edge as illustrated.

Figure E

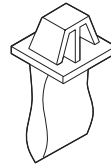


Figure F

