

Priority

Desk and Return

Tools Required

- Screw Gun
- #2 Phillips Head Bit
- Level
- Tape Measure
- Pencil

Package Contents

- #10 x 1" Panhead Screw
- Flat Brackets

Installation

1. Install flat brackets to the desk approximately where shown. Center the brackets with the edges of the desk worksurface. Attach brackets using the #10 x 1" panhead screws provided. (Figure A).
2. Move desk into desired position. Level desk. (Figure B).
3. Align the credenza worksurface to the desk. Position the worksurface on the desk and credenza so their edges are tight against each other and flush with no gaps. Fasten credenza worksurface to the flat brackets using the #10 x 1" panhead screws provided. (Figure C).

Figure A

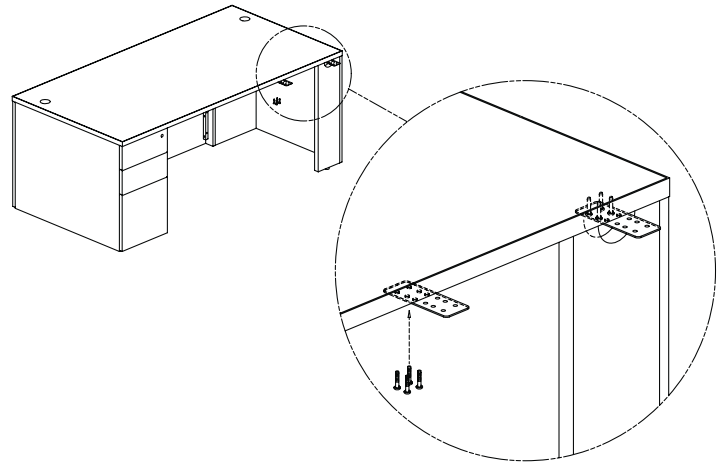


Figure B

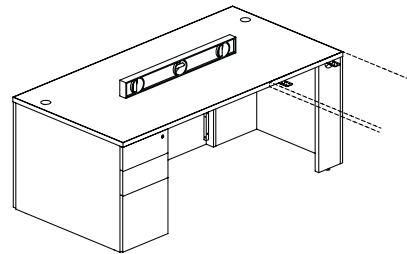


Figure C

