

General Information

- These instructions provide the basic information to create an Interworks® freestanding corner desk.
- Corner desk consists of: Corner worksurface, two Half End Panels, two Modesty Panels, one Corner Support post.
- One person can perform all operations.

Tools Required

- Drill with #2 Phillips tip bit
- 5/16" Hex socket
- Level
- Measuring tape

Hardware

- Metal to wood (worksurface): #10x1" Phillips pan head drill screws.
- Metal to metal: #10x1/2" Hex washer head drill screws.

Install Bracket to Half End Panel

Half End Panels are secured to worksurface via two L-shaped brackets, which are attached to inside face of End Panel via pre-drilled holes. It is easier to install Half End Panels to worksurface with the L-shaped brackets already attached.

1. Designate Half End Panels as left and right.

Lay Half End Panels side-by-side as in Figure A. Glides should be facing you (unscrew and relocate as needed).

2. Starting with left Half End Panel, secure brackets into pre-drilled holes in End Panel with two #10x1/2" screws provided per bracket (Figure A, inset). Flange of bracket should be flush with top of Half End Panel.

3. Repeat with right Half End Panel.

Install Modesty Panel to Half End Panel

Half End Panels and Modesty Panel are both pre-drilled. Modesty Panel is mounted 1 1/2" from top of worksurface, 3" from floor, and 3" from rear edge of worksurface.

1. Turn Modesty Panel perpendicular to Half End Panel, finished face of Modesty Panel away from you (Figure B).
2. Align holes in flange of Modesty Panel to holes in Half End Panel and secure with four #10x1/2" screws provided.
4. Repeat for right Half End Panel.

Figure B

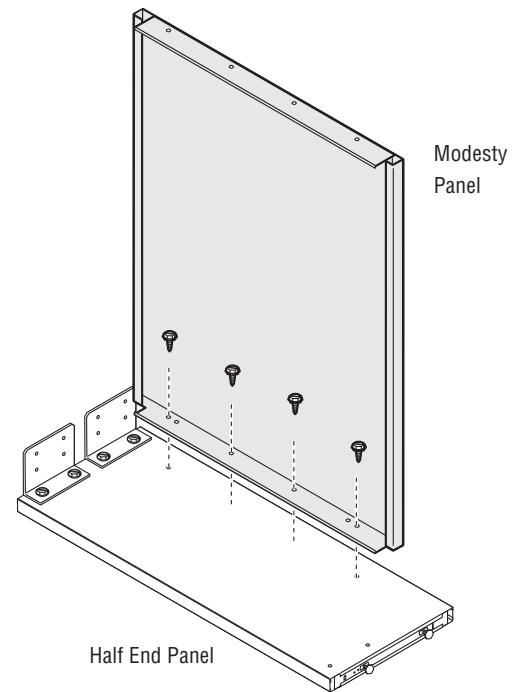
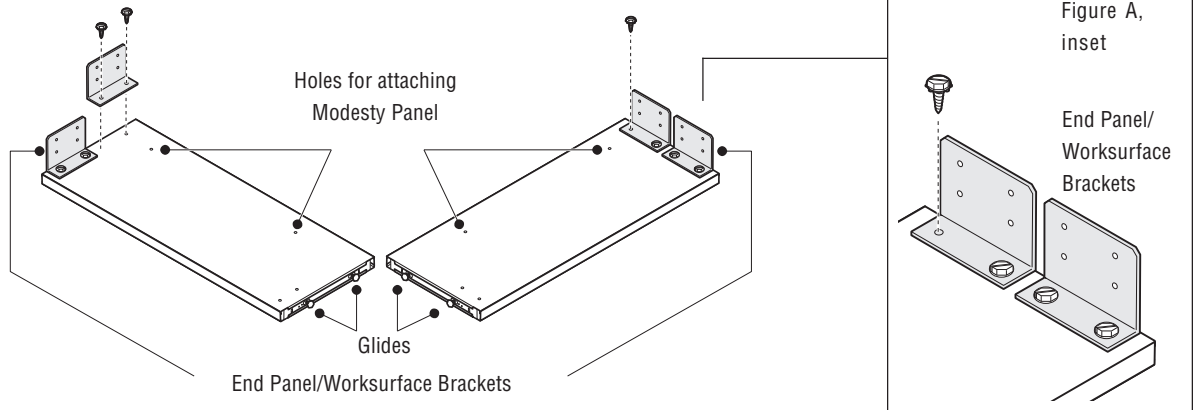


Figure A



Proper product installation, in accordance with these instructions, is the responsibility of the installing agent. If you have any questions concerning these instructions, please call your Customer Care Team.

Install Half End Panel Assembly to Worksurface

1. Turn worksurface upside down, user edge nearest you.
2. Align Half End Panel (with Modesty Panel attached) flush to rear edge of corner worksurface (Figure C).
3. Secure brackets to worksurface with four #10x1" screws per bracket provided.
4. Repeat for other Half End Panel.

Install Corner Support to Worksurface, Modesty Panel

Once Half End Panels (with Modesty Panel attached) are installed, it is easier to position Corner Support post.

1. Position Corner Support post where Modesty Panels come together (Figure D). Glide should be facing up.
2. Secure each Modesty Panel to Corner Support post at vertical flange using four #10x1/2" screws provided.
3. Secure Corner Support post to worksurface using four #10x1" screws provided, two per flange (Figure D, inset).

Finishing Up

1. Turn completed corner desk over (Figure E).
2. Check for level. Adjust glides on End Panels and Corner Support post as needed.
3. Space in front of Half End Panels can be used to tie corner unit into adjacent freestanding units with Flat Brackets (ordered separately).

Figure C

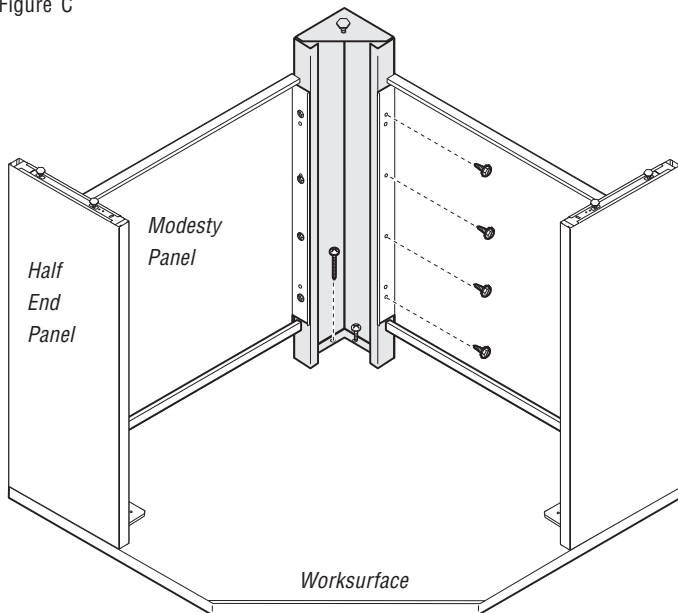


Figure D

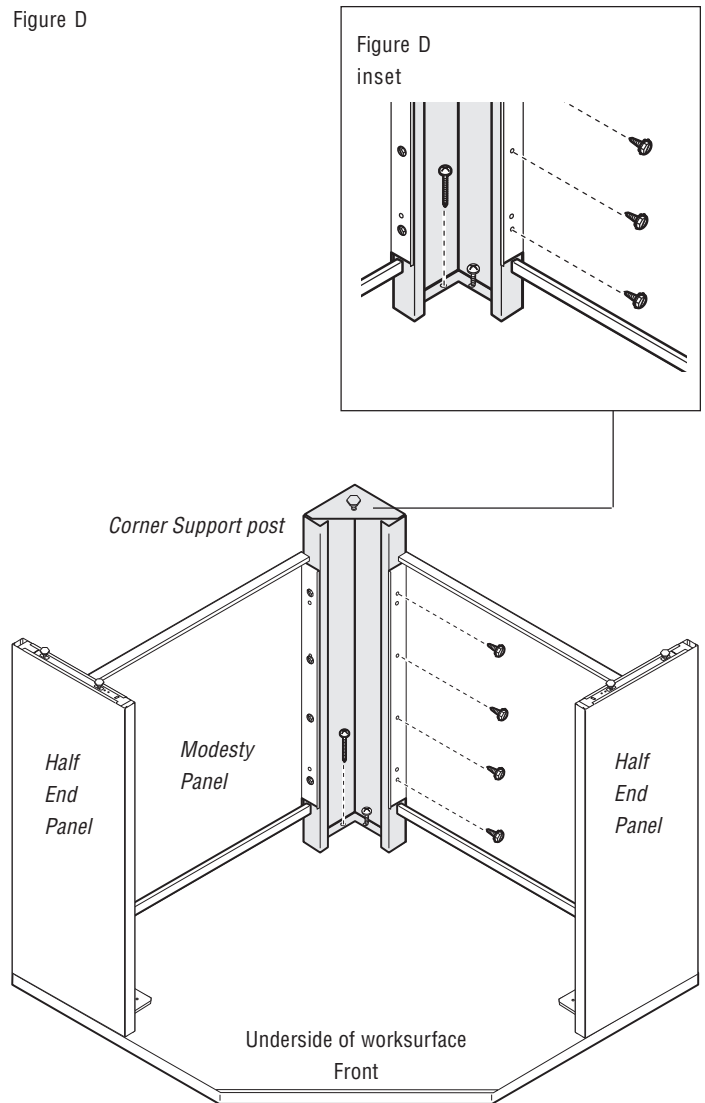


Figure E

